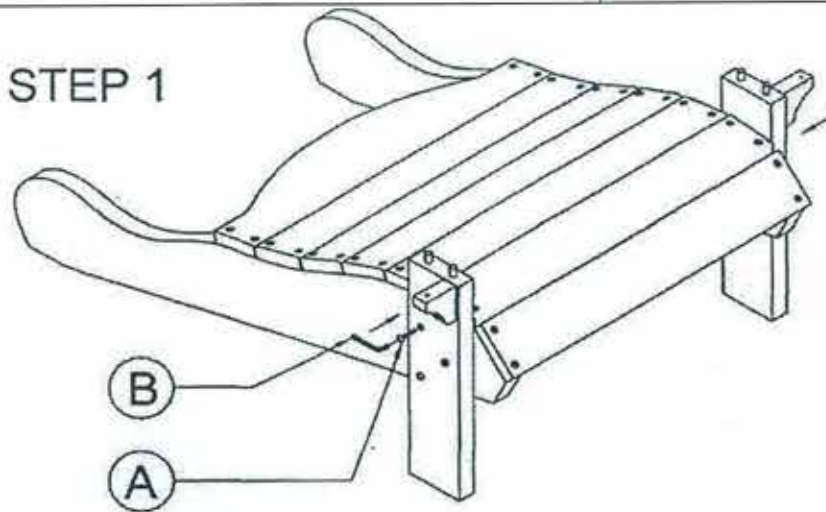
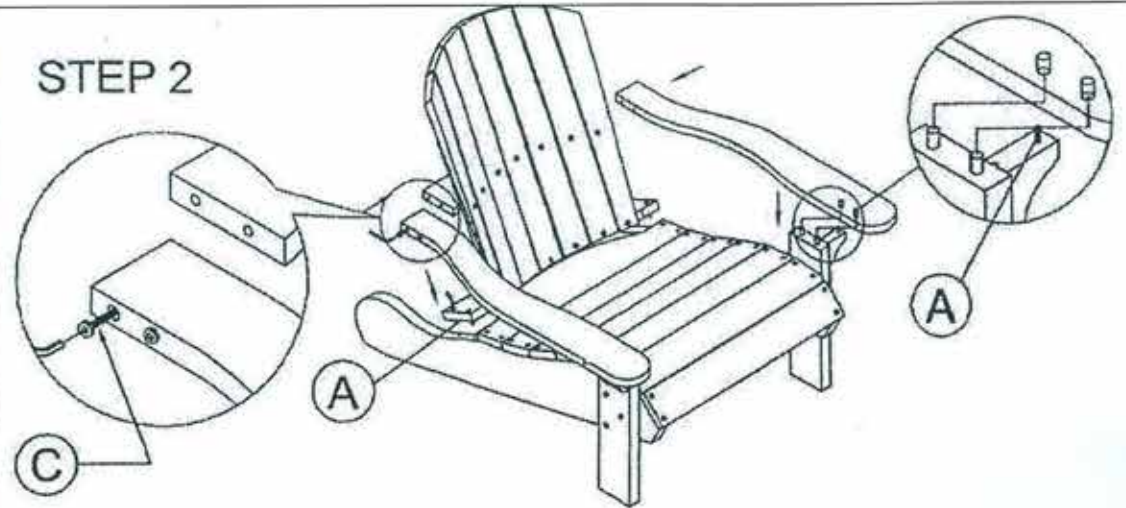


ASSEMBLY INSTRUCTIONS FOR #CD3111 (ADIRONDACK CHAIR W/BUILD-IN OTTOMAN)

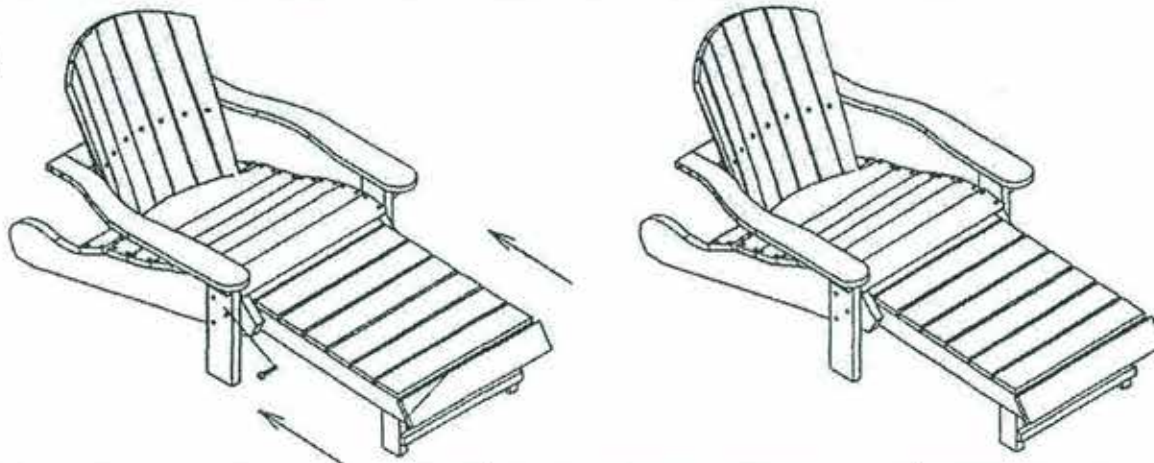
STEP 1



STEP 2



STEP 3



TIPS/Steps for Easy Set-Up:

Assemble Chairs on their Sides on a soft surface area to protect.

Step # 1. Attach upright Arm units with (3 screws) on each side.

Step # 2. Set seat unit upright and then attach the back unit, but do NOT tighten the screws all the way until after next step

Step # 2A. Attach arm units and align first with back unit before tightening screws.

Step # 2B. Do not miss the last screws under each arm unit...

Never Over-Tighten any screws with key wrench.

Use care in pulling the Ottoman unit and out.

Tighten legs to ottoman if too loose

Finally, Please Oil your new Adirondack Chair With a Linseed Oil or Hardwood oil. Do not oil in Direct Sunlight and allow to dry for 24 hours in the Shade. Enjoy!

PART LIST



Screw M7 x 40 [1.5"] 12 pcs



Key Wrench (1 pcs)



Screw M7 x 90 [3.5"] 4 pcs



Portable Drill Bit