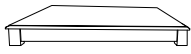
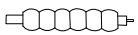
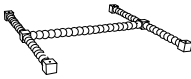



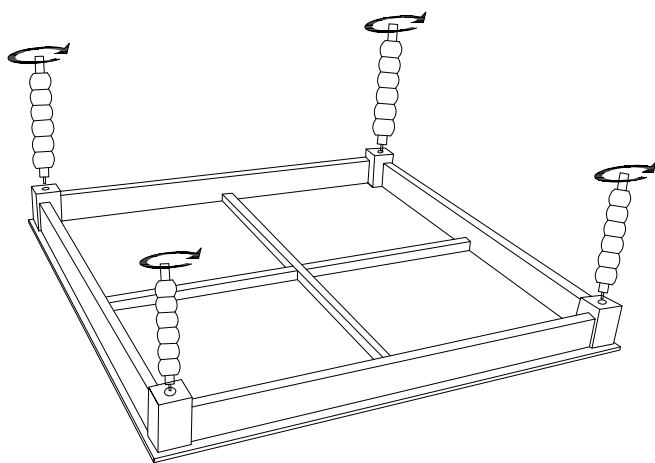
# ASSEMBLY INSTRUCTIONS

CVFDR1022

## PARTS

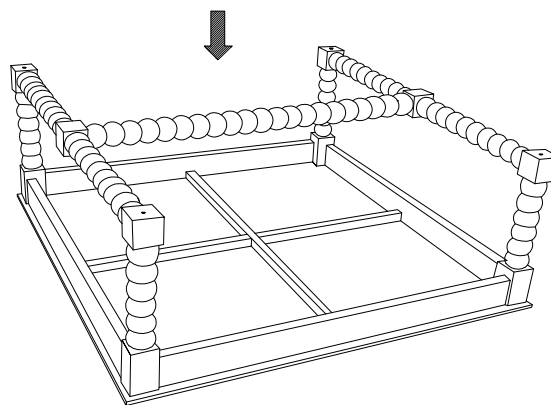
S.NO.	DESCRIPTION	QNT
A	 TOP	01
B	 TOP LEGS	04
C	 BOTTOM	01
D	 LOWER LEGS	04

### STEP - 1



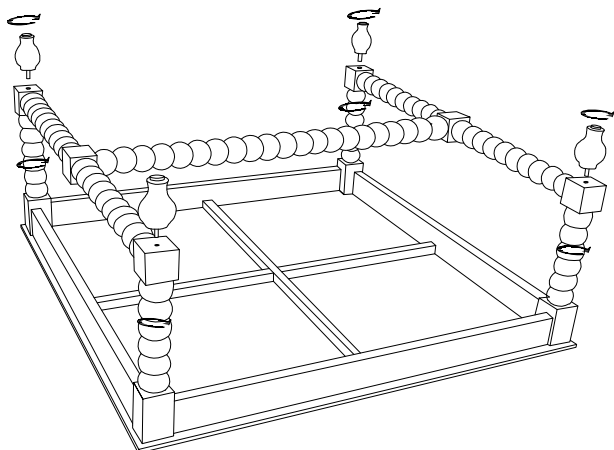
Place the Top (A) on the floor, attach the top legs (B) to the mounting holes on the top, make sure the installation is not tilted (at this step, don't tighten the top legs completely)

### STEP - 2



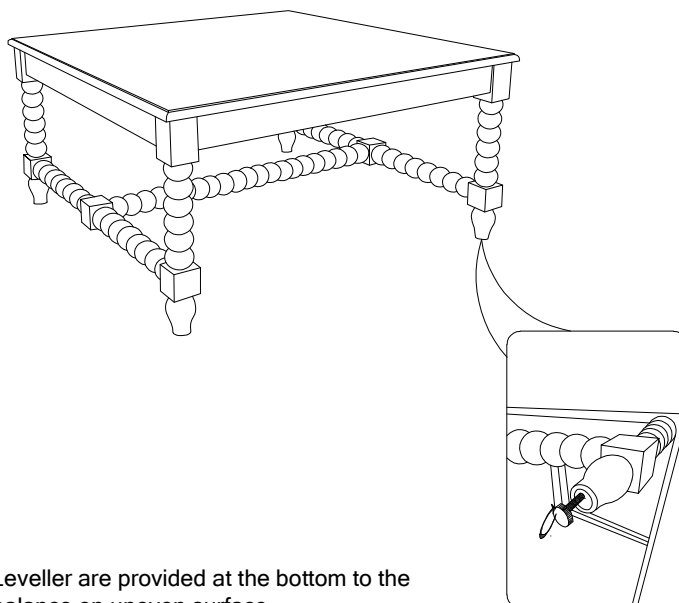
attach the bottom(C) on the legs that have been installed, after attaching fasten the top legs(B)

### STEP - 3



Attach lower legs (D), make sure the installation is not tilted, (at this step all legs are tightened perfectly)

### COMPLETED



Leveller are provided at the bottom to the balance on uneven surface

MADE IN INDONESIA