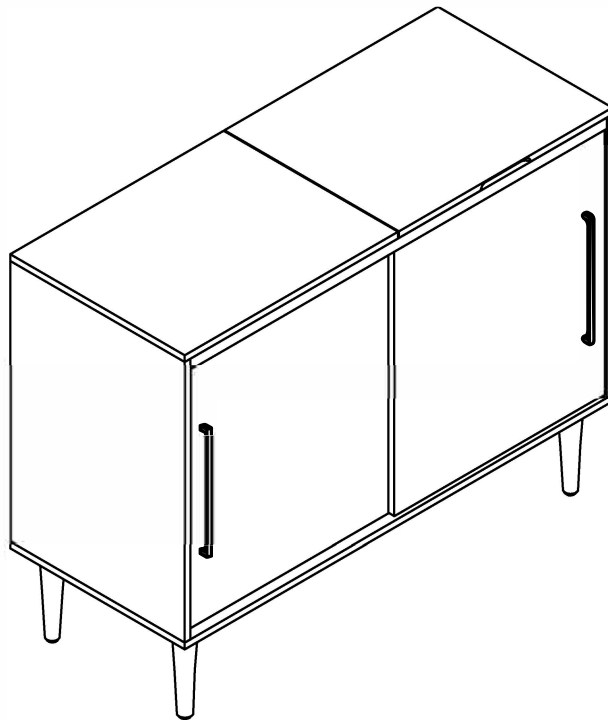


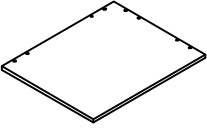
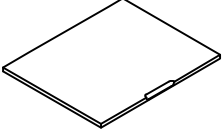
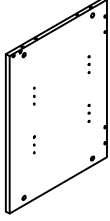

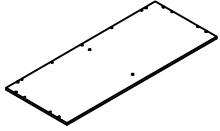
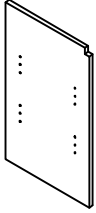
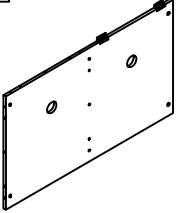
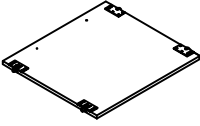
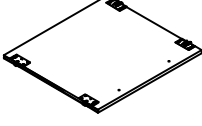
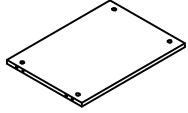
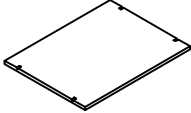
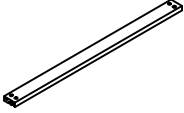

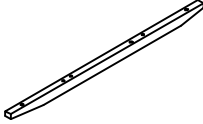
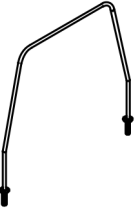
CROSLEY

FURNITURE



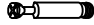







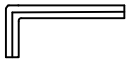
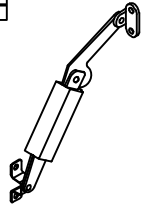


Media Console CF1103



PART LIST

<p>A</p> 	<p>B</p> 	<p>C</p> 	<p>D</p> 	<p>E</p> 
<p>Left Top Panel 1 PC</p>	<p>Right Top Panel 1 PC</p>	<p>Left Panel 1 PC</p>	<p>Right Panel 1 PC</p>	<p>Bottom Panel 1 PC</p>
<p>F</p> 	<p>G</p> 	<p>H</p> 	<p>I</p> 	<p>J</p> 
<p>Dividing Panel 1 PC</p>	<p>Back Panel 1 PC</p>	<p>Left Door Panel 1 PC</p>	<p>Right Door Panel 1 PC</p>	<p>Fixed Shelf 1 PC</p>
<p>K</p> 	<p>L</p> 	<p>M</p> 	<p>N</p> 	<p>O</p> 
<p>Adjustable Shelf 2 PCS</p>	<p>Top Rail 1 PC</p>	<p>Leg 4 PCS</p>	<p>Bottom Rail 1 PC</p>	<p>Metal Wire 4 PCS</p>

HARDWARE LIST

<p>#1</p>  <p>M6*13</p>	<p>#2</p> 	<p>#3</p>  <p>Ø7*35mm</p>	<p>#4</p>  <p>Ø15*12mm</p>	<p>#5</p>  <p>Ø8*30mm</p>	
<p>Allen Bolt 8 PCS</p>		<p>Cam Bolt 31 PCS (Extra 2)</p>		<p>Wood Dowel 26 PCS (Extra 2)</p>	
<p>#6</p>  <p>D7*Ø3.5*12</p>	<p>#7</p> 	<p>#8</p>  <p>Ø9mm*5/32"*1"</p>	<p>#9</p>  <p>Ø8*5*16mm</p>	<p>#10</p>  <p>D8*Ø4*38</p>	
<p>Short Screw 10 PCS (Extra 2)</p>		<p>Round Head Bolt 4 PCS</p>		<p>Screw 4PCS (Extra 1)</p>	
<p>#11</p> 	<p>#12</p> 	<p>#13</p> 	<p>#14</p> 		
<p>Allen Wrench 1 PC</p>		<p>Open End Wrench 1 PC</p>		<p>Safety Strap Kit 1 SET</p>	

ADDITIONAL TOOLS (Not Provided)

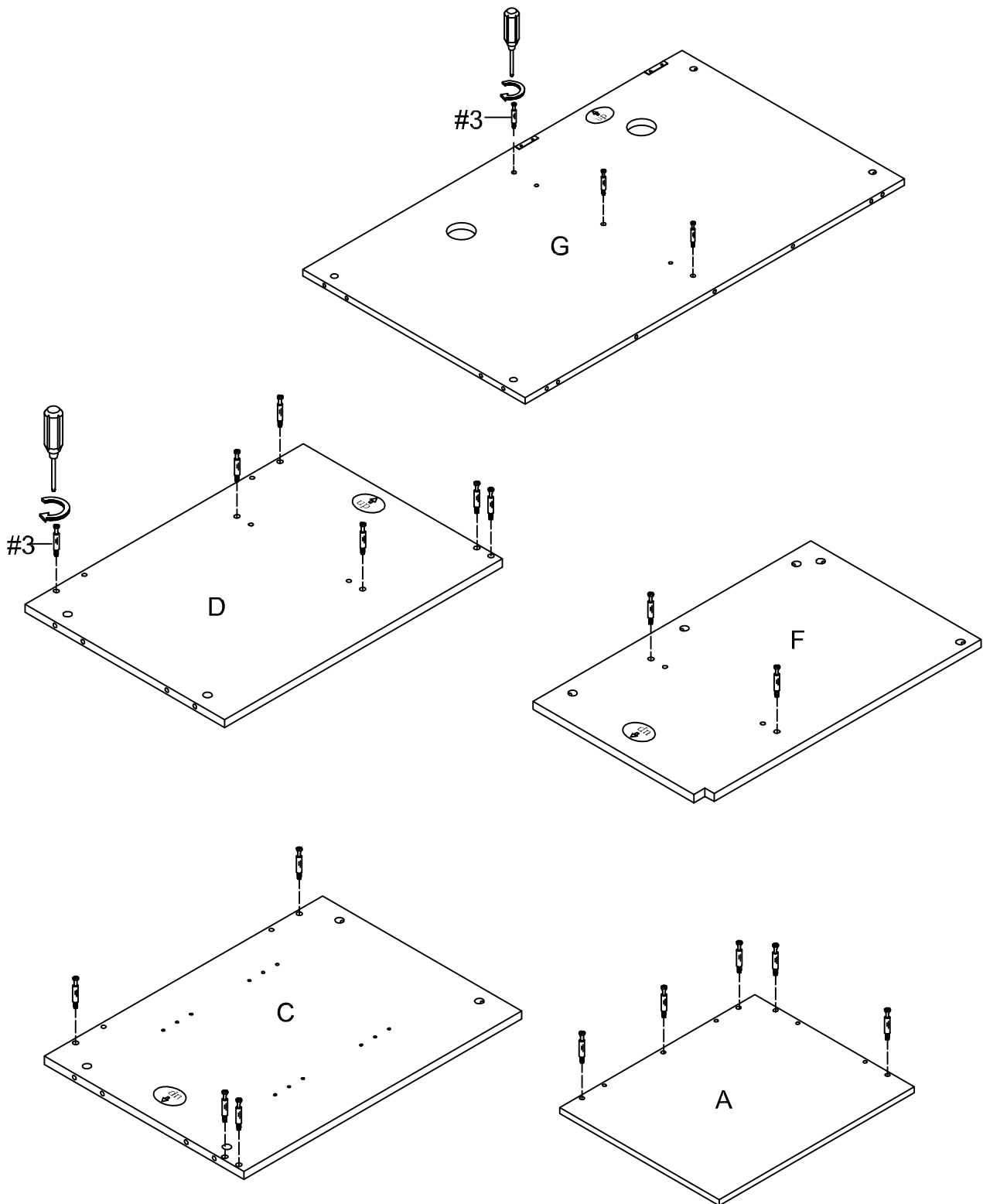
Note: It is not recommended to use power tools during assembly.



Phillips Head Screwdriver

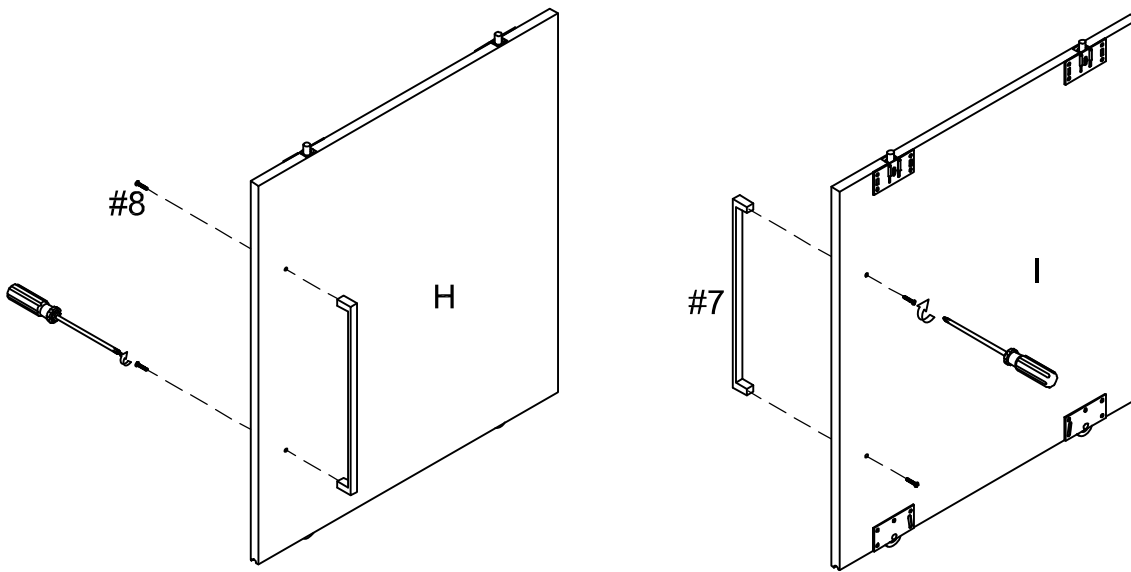
Step 1. Insert cam bolts (part #3) into pre-drilled holes of left top panel (part A), left panel (part C), right panel (part D), dividing panel (part F) and back panel (part G) using phillips head screwdriver.

NOTE: Do not overtighten cam bolts. Stop tightening once threads on cam bolt are no longer visible.



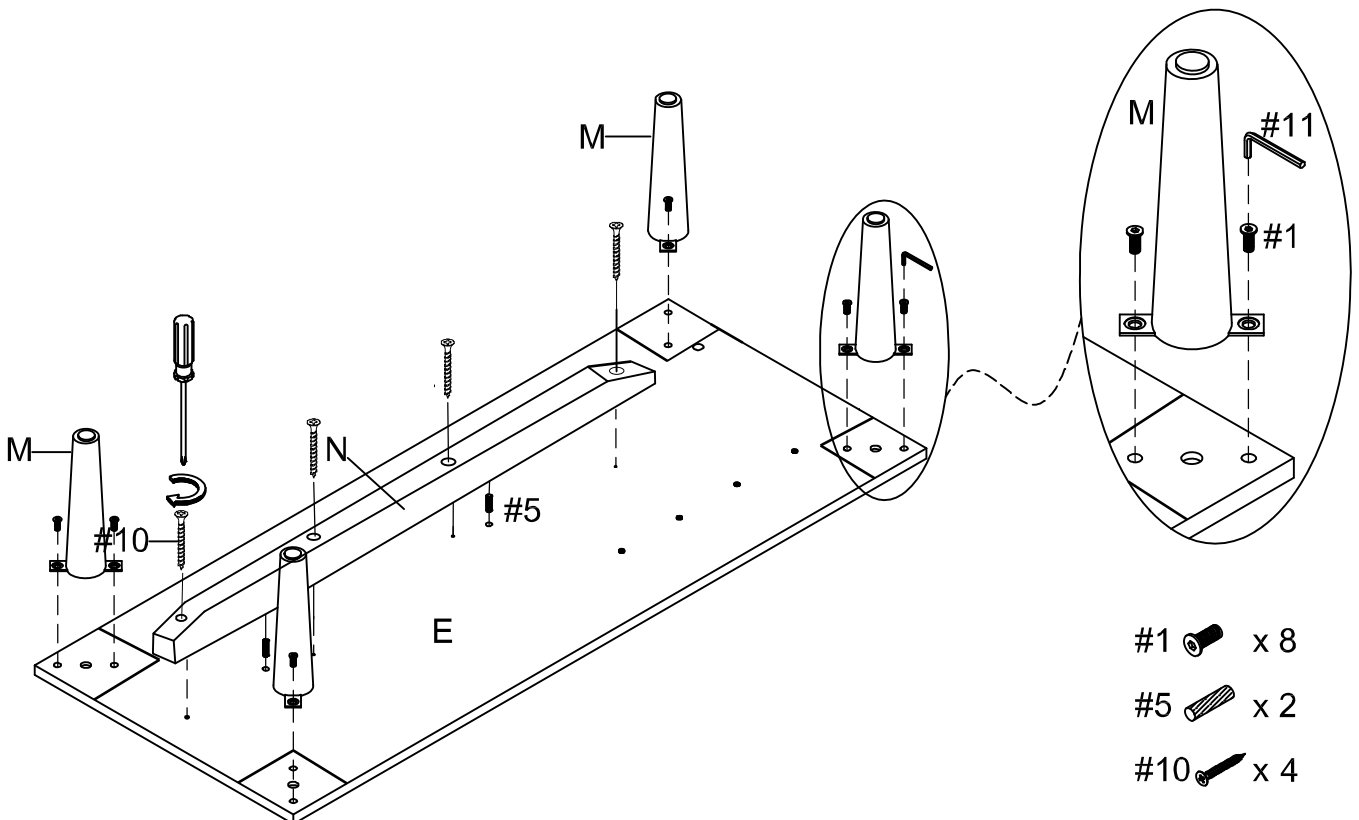
#3  x20




Step 2. Attach handles (part #7) to left door panel (part H) and right door panel (part I) using round head bolts (part #8) and phillips head screwdriver.



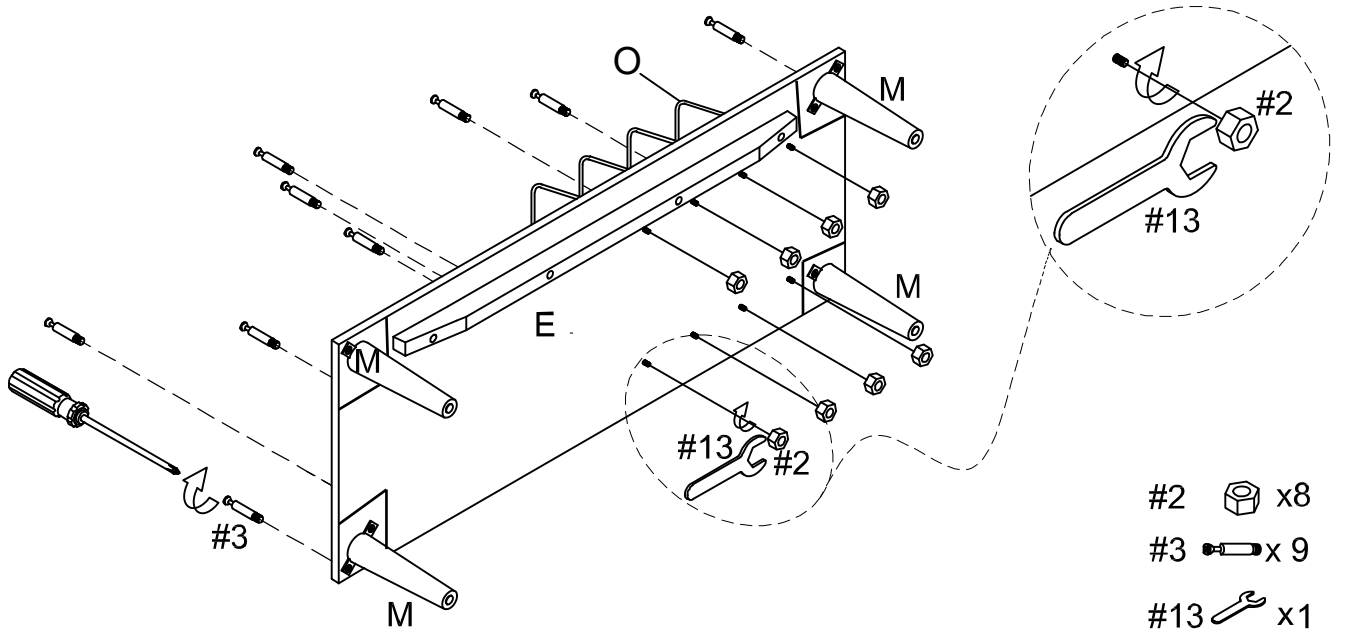
- #7  x2
- #8  x4




Step 3. Attach bottom rail (part N) to bottom panel (part E) using wood dowels (part #5), screws (part #10) and phillips head screwdriver. Attach legs (part M) to bottom panel (part E) using allen bolts (part #1) and allen wrench (part #11).



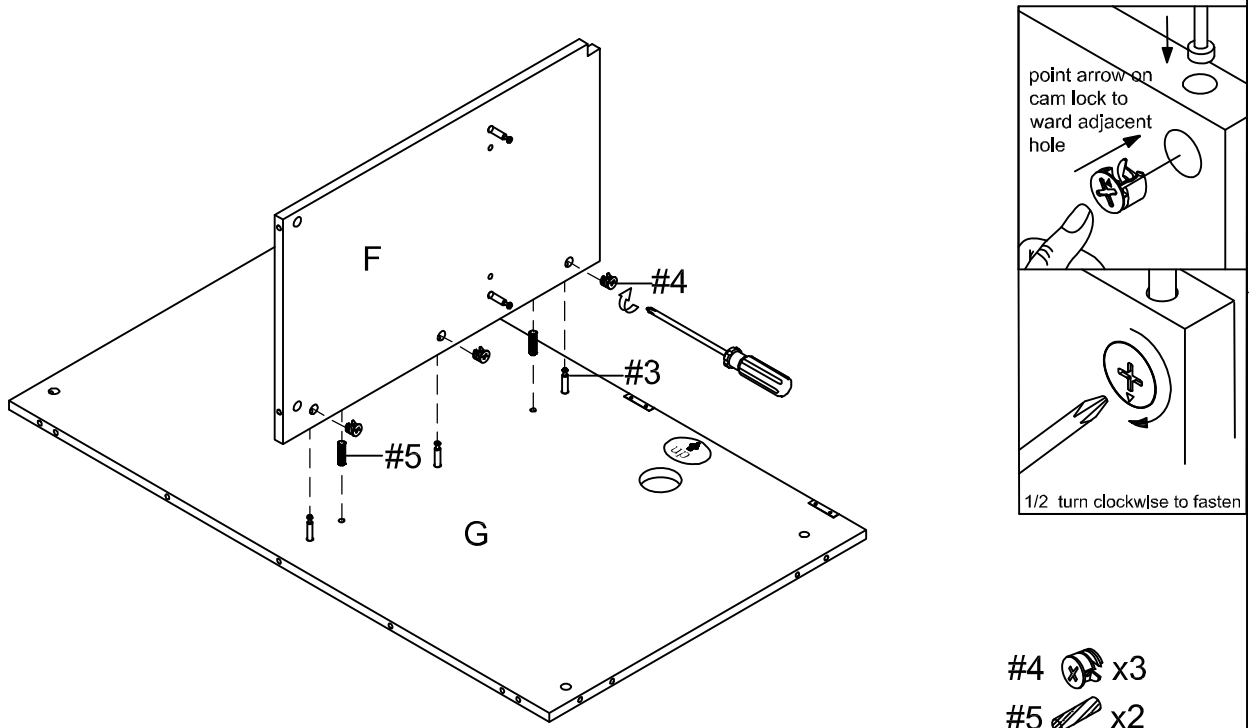
- #1  x 8
- #5  x 2
- #10  x 4



Step 4. Attach metal wires (part O) to bottom panel (part E) using hex nut (part #2) and open end wrench (part #13). Insert cam bolts (part #3) into pre-drilled holes of bottom panel (part E) using phillips head screwdriver as shown.
 NOTE: Do not over-tighten cam bolts. Stop tightening once threads on cam bolt are no longer visible.



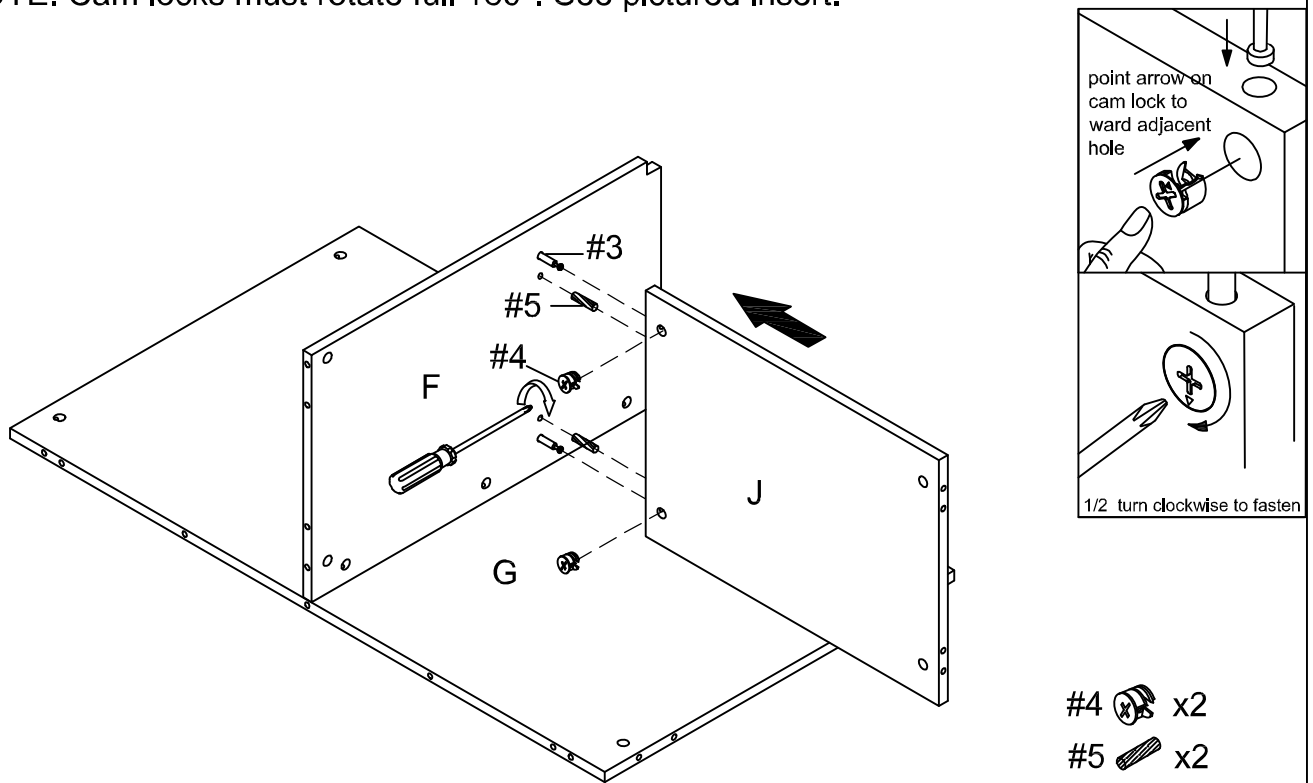
- #2  x8
- #3  x 9
- #13  x1

Step 5. Attach dividing panel (part F) to back panel (part G) using wood dowels (part #5), cam locks (part #4) and phillips head screwdriver.
 NOTE: Cam locks must rotate full 180°. See pictured insert.

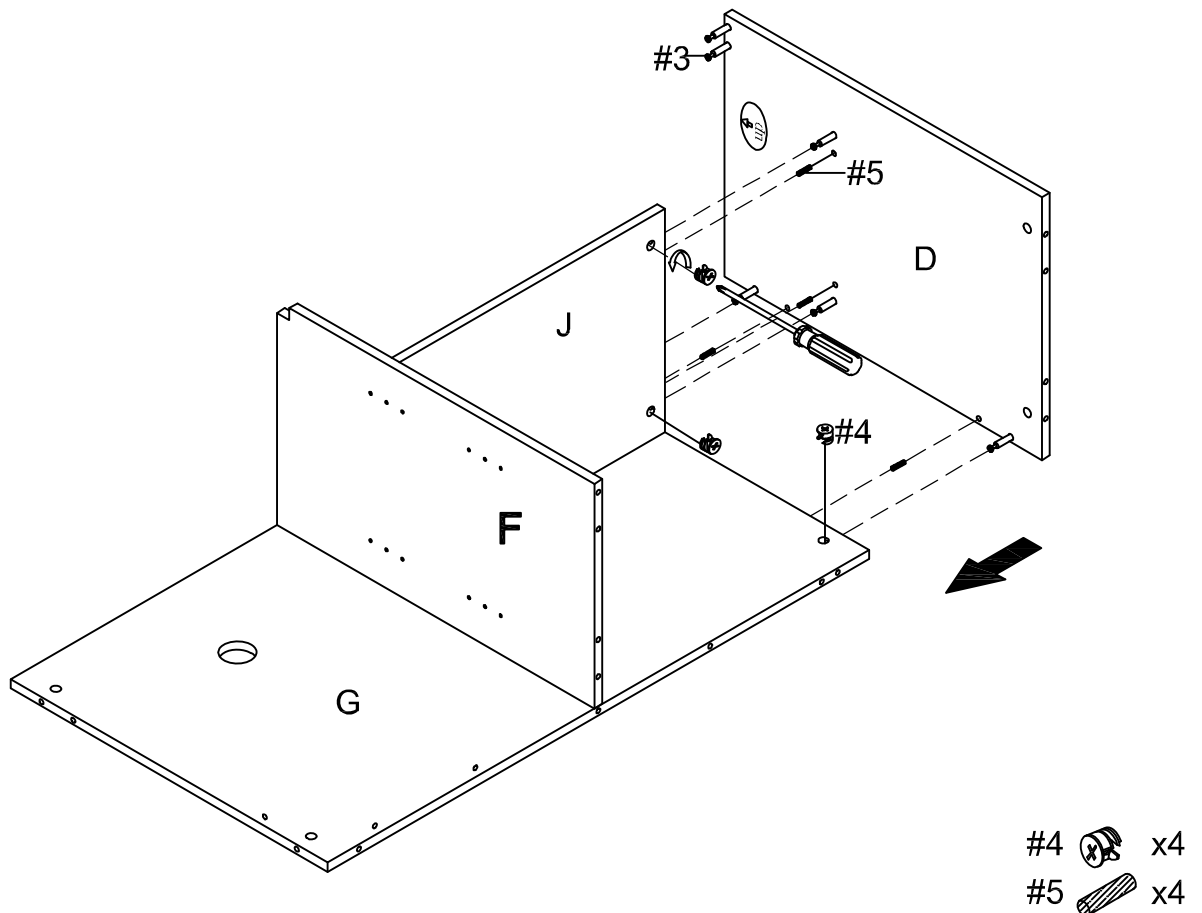


- #4  x3
- #5  x2

Step 6. Attach fixed shelf (part J) to dividing panel (part F) using wood dowels (part #5), cam locks (part #4) and phillips head screwdriver as shown.
 NOTE: Cam locks must rotate full 180°. See pictured insert.

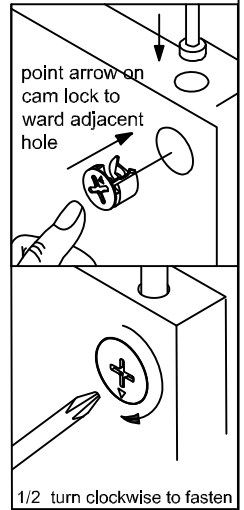
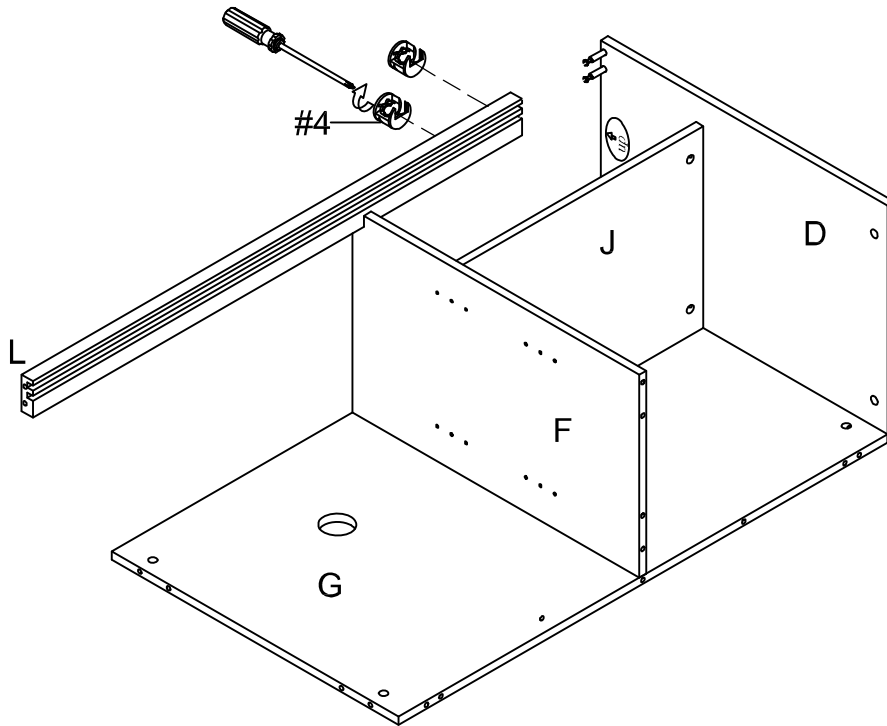


Step 7. Attach right panel (part D) to back panel (part G) and fixed shelf (part J) using wood dowels (part #5), cam locks (part #4) and phillips head screwdriver.
 NOTE: Cam locks must rotate full 180°. See pictured insert.



Step 8. Attach top rail (part L) to right panel (part D) using cam locks (part #4) and phillips head screwdriver.

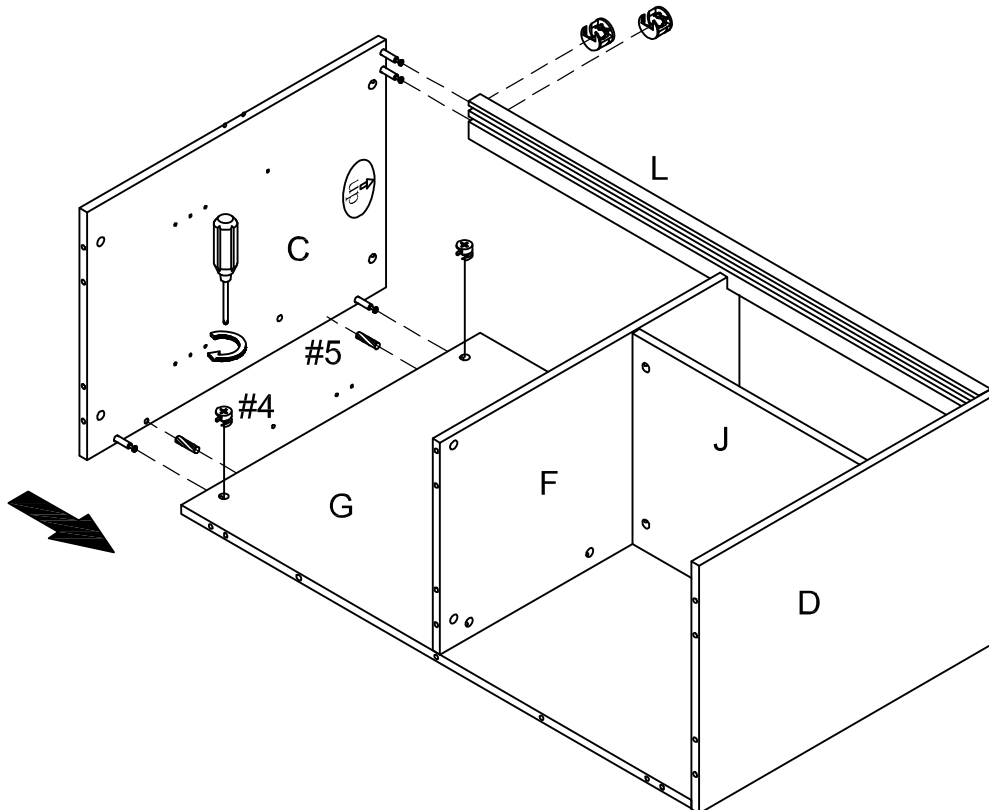
NOTE: Cam locks must rotate full 180°. See pictured insert.



#4  x2

Step 9. Attach left panel (part C) to top rail (part L) and back panel (part G) using wood dowels (part #5), cam locks (part #4) and phillips head screwdriver.

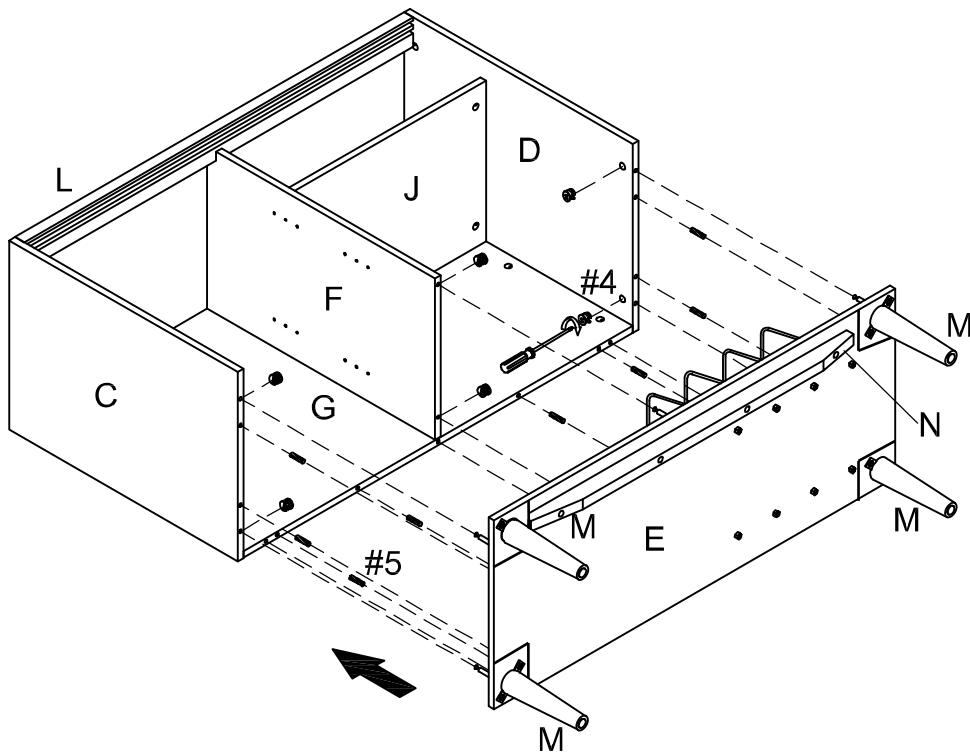
NOTE: Cam locks must rotate full 180°. See pictured insert.



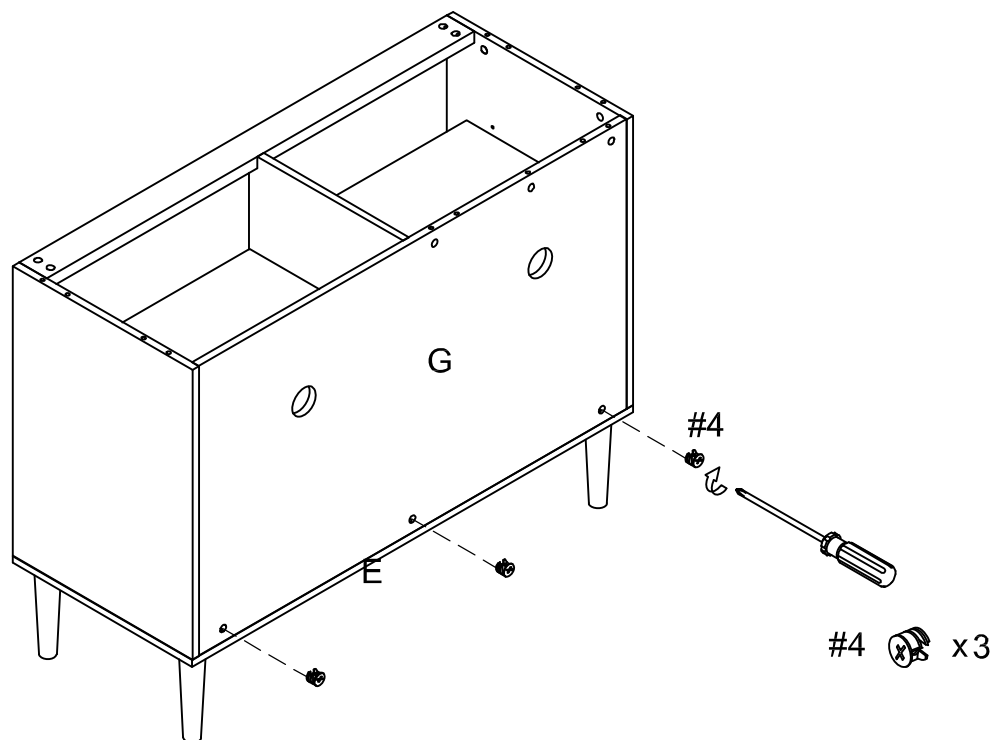
#4  x4

#5  x2

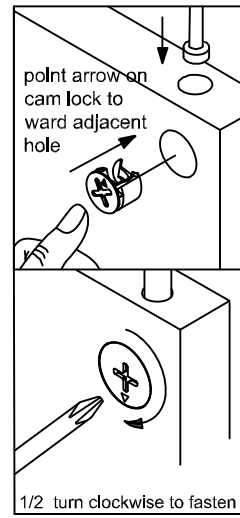
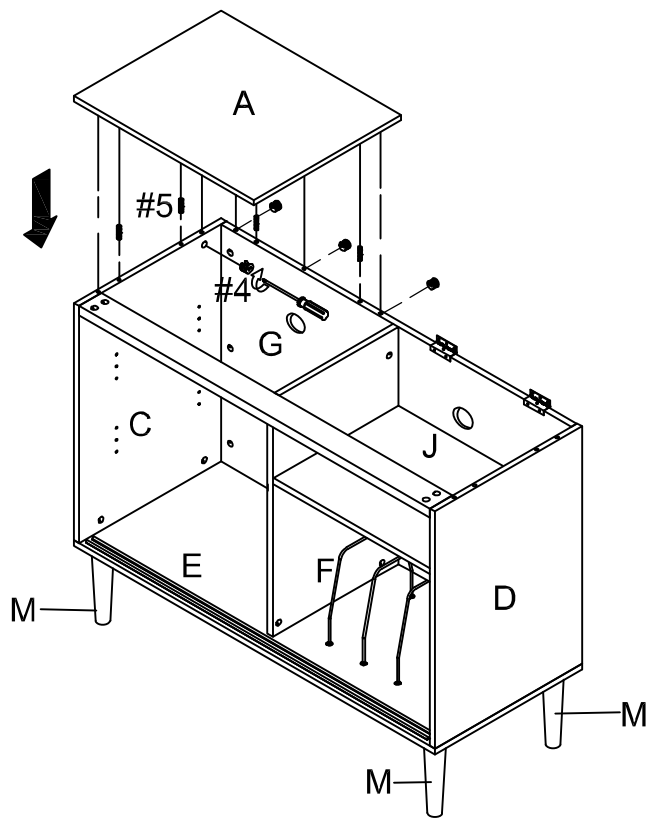
Step 10. Attach bottom panel (part E) to assembled unit (parts C, D, F & G) using wood dowels (part #5), cam locks (part #4) and phillips head screwdriver.
 NOTE: Cam locks must rotate full 180°. See pictured insert.





Step 11. With two people, carefully lift and turn unit upright. Insert cam locks (part #14) into pre-drilled holes on the bottom of the back panel (part G) and lock using phillips head screwdriver.
 NOTE: Cam locks must rotate full 180°. See pictured insert.

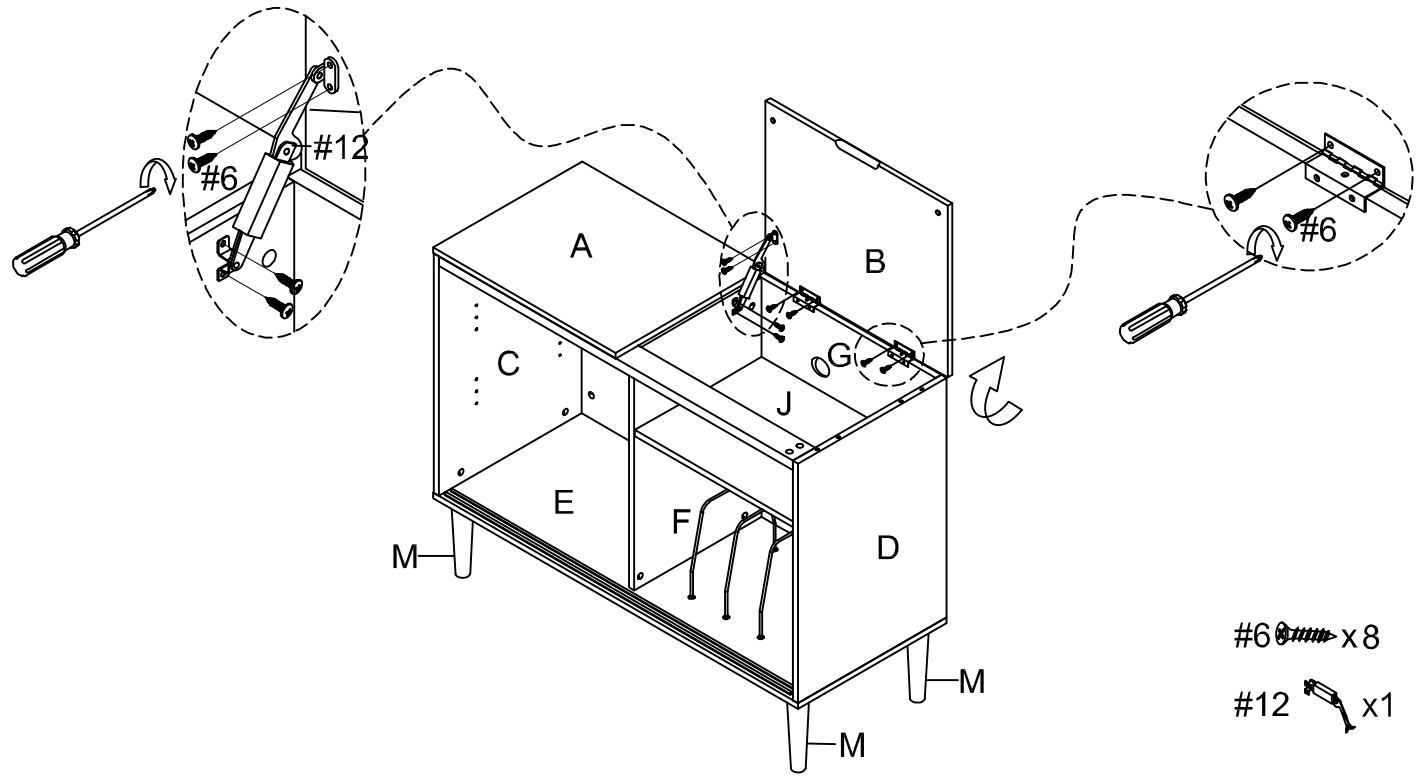




Step 12. Attach left top panel (part A) to left panel (part C) and back panel (part G) using wood dowels (part #5), cam locks (part #4) and phillips head screwdriver.
 NOTE: Cam locks must rotate full 180°. See pictured insert.



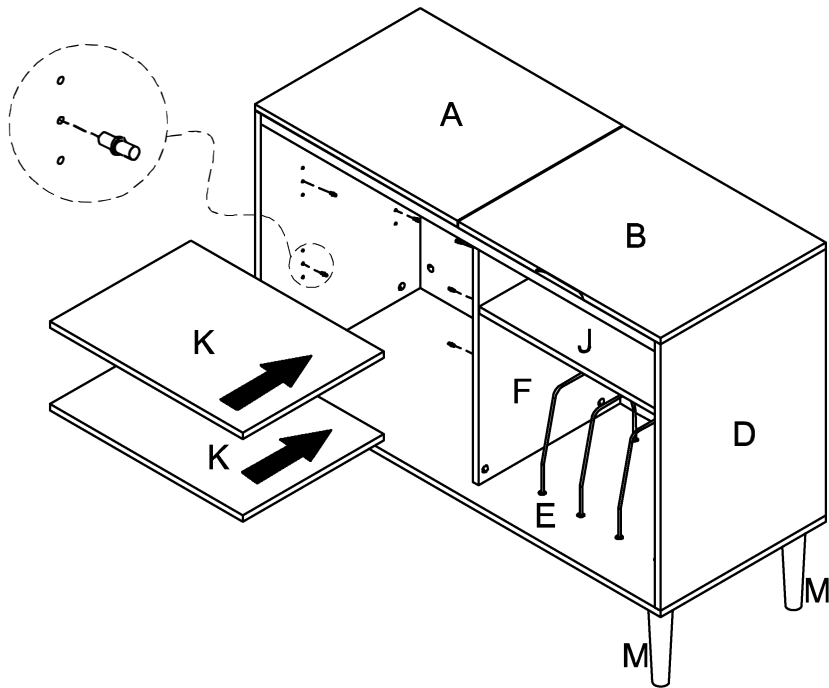
- #4  x5
- #5  x4

Step 13. Attach right top panel (part B) to back panel (part G) using short screws (part #6) and phillips head screwdriver. Then attach right top panel (part B) to dividing panel (part F) using spring hinge (part #12), short screws (part #6) and phillips head screwdriver.



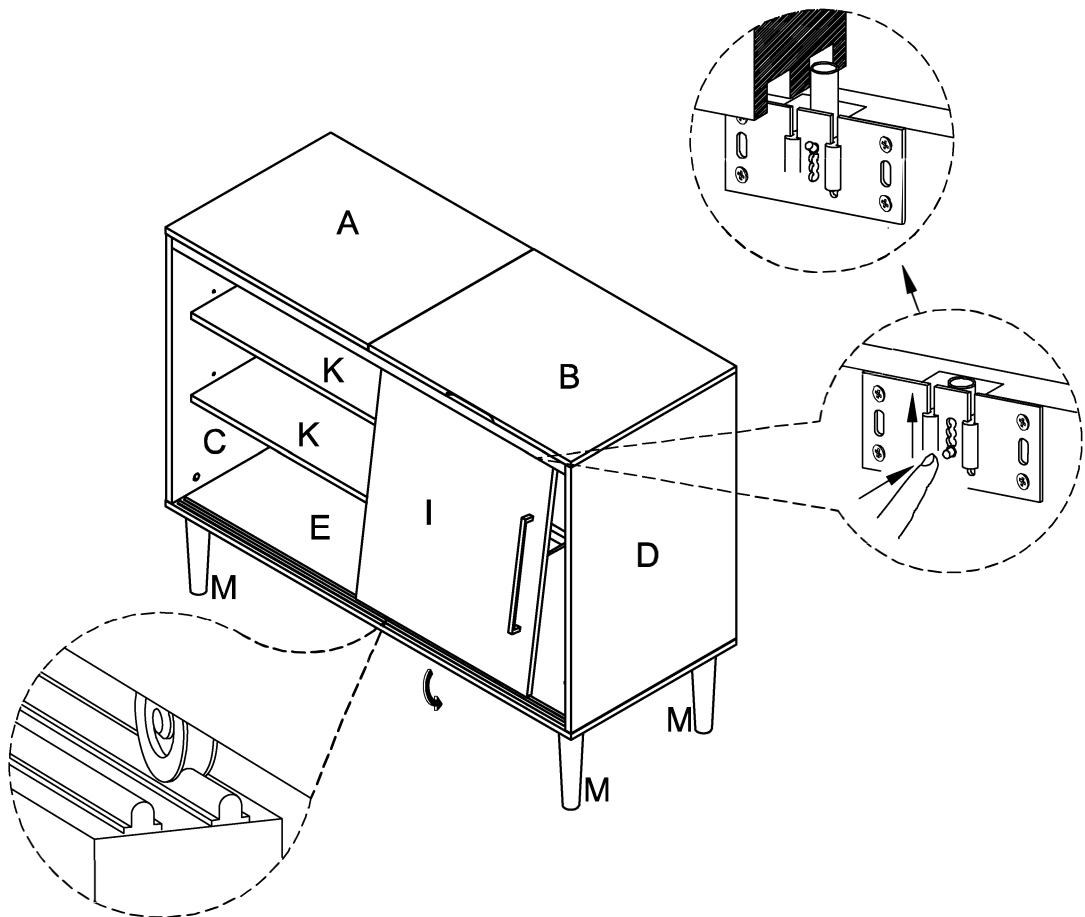
- #6  x8
- #12  x1

Step 14. Insert shelf pins (part #9) into desired position and slide adjustable shelves (part K) into place.

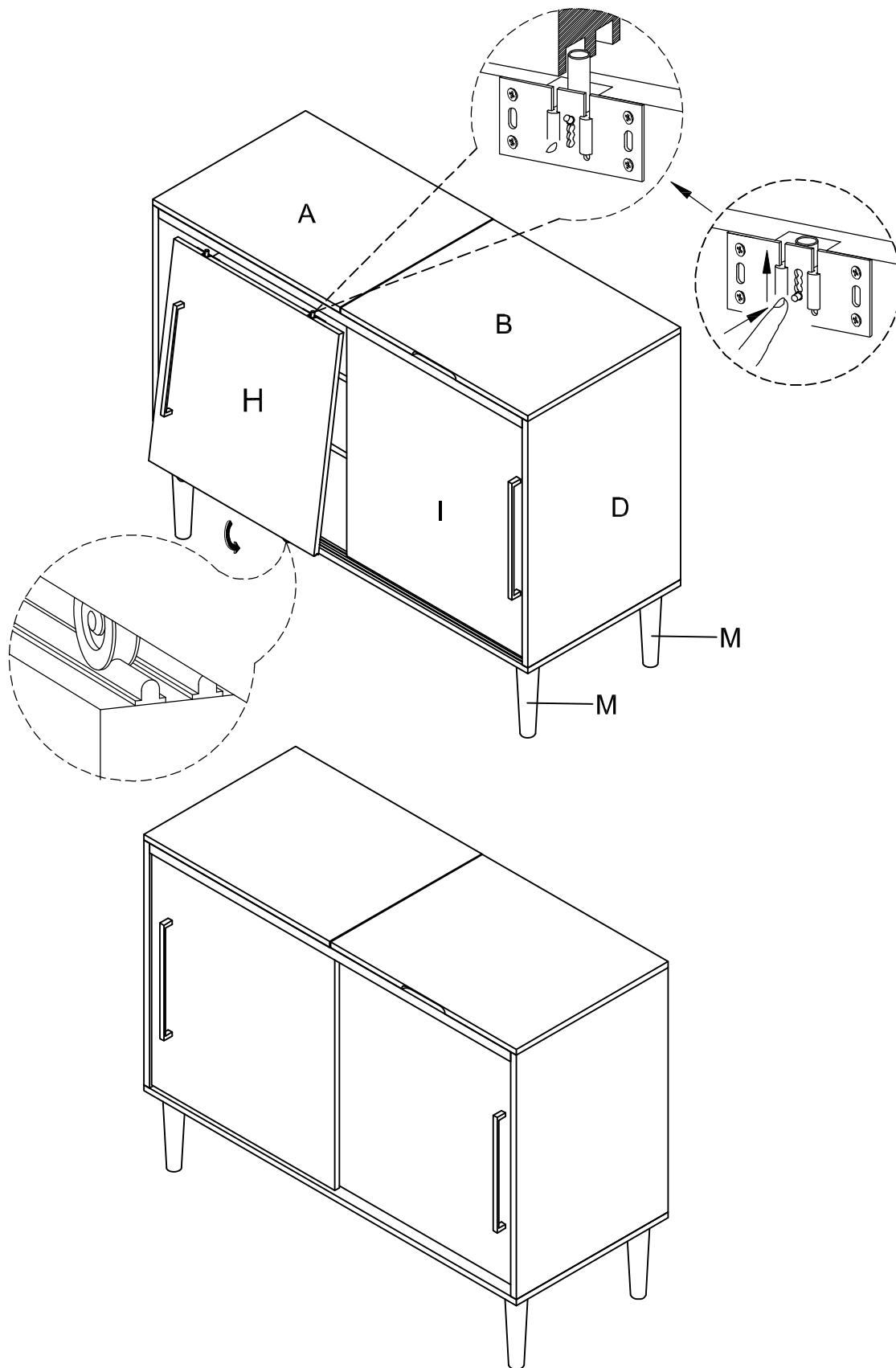



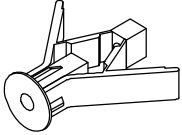



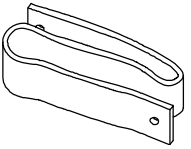
#9  x8

Step 15. Press the upper door pins on right door panel (part I) up. Install right door panel (part I) to inner runner of pre-assembled cabinet as shown.



Step 16. Press the upper door pins on left door panel (part H) up.
Install left door panel (part H) to outer runner of pre-assembled cabinet as shown.
NOTE: If moving, please lift with two people. Do not drag.



#15	A	B	C	D	E
			 D8*3/4"	 D8*1-1/2"	
Safety Strap Kit 1 SET	Wall Anchor 1 PC	Washer 2 PCS	Short Screw 1 PC	Long Screw 1 PC	Safety Wall Strap 1 PC

SAFETY STRAP WALL ASSEMBLY INSTRUCTIONS

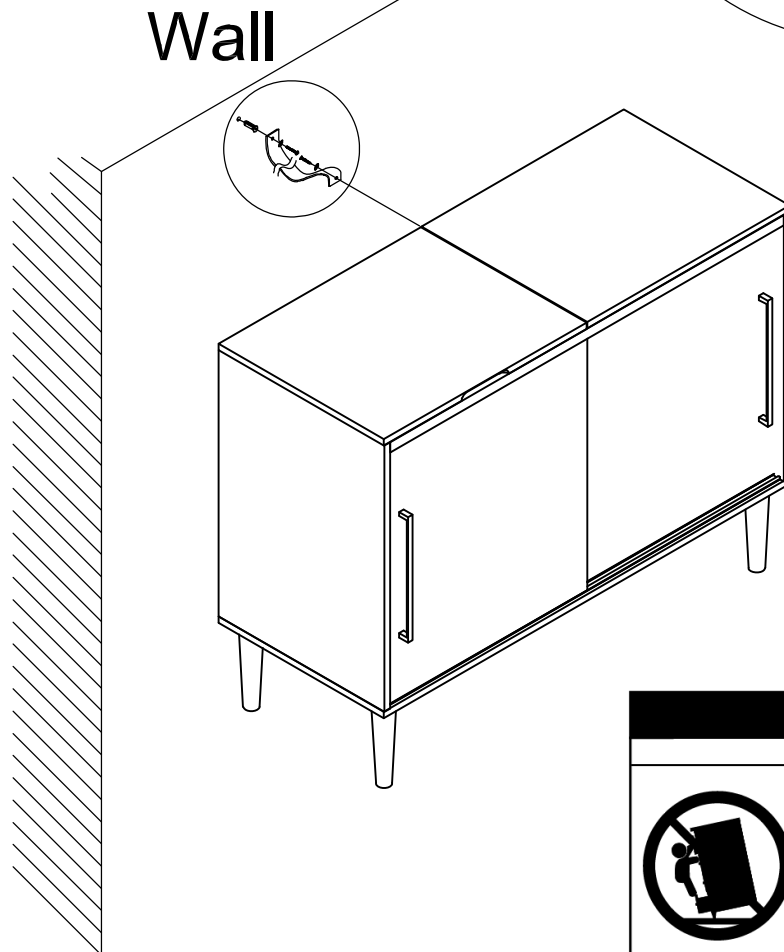
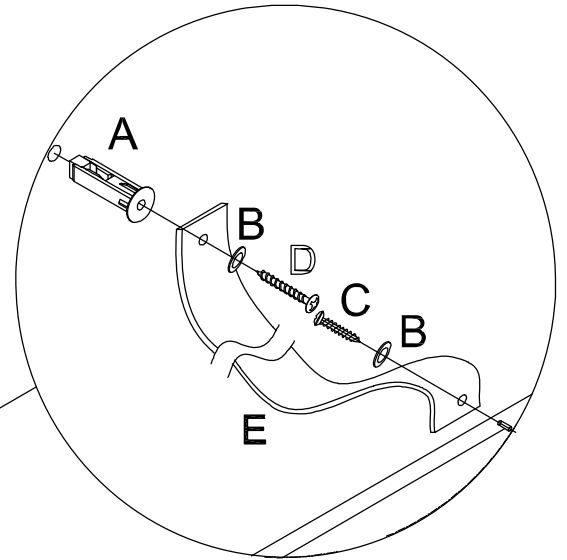
Important: Safety strap kit (part #15) must be installed to prevent tipping, damage and/or injury.

1) Insert short screw (C) through washer (B) and safety wall strap (E) and screw it into the top center of back panel (G).

2) Drill a 11/32" hole where you want to secure your unit. The hole should be at the same height as the hole in the top center of back panel (part G). Tap wall anchor (A) into the hole.

3) Insert long screw (D) through washer (B) and safety wall strap (E) into wall anchor (A).

Note: This item is not intended for clothing storage use.



▲ WARNING	
	Children have died from furniture tipover.
	To reduce the risk of furniture tipover:
	· ALWAYS install tipover restraint provided.
	· For use with televisions weighing 50lbs(23kg) or less. Use with heavier televisions may result in instability causing tip-over resulting in death or serious injury.
	· NEVER allow children to stand, climb or hang on drawers, doors, or shelves.
· NEVER open more than one drawer at a time.	
· Place heaviest items in the lowest drawers.	
<i>This is a permanent label. Do not remove!</i>	