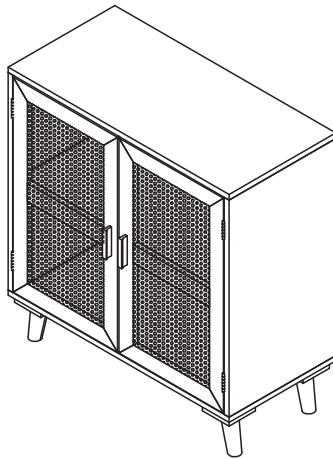


HULALA

H O M E



ITEM NO. HSCLS00377

NOTE:

This brochure contains IMPORTANT safety info. Please read and keep for future reference.

MAINTAINANCE AND WARNING

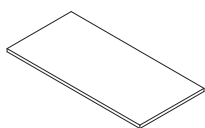
- Keep furniture away from heat.
- Do not clean furniture with harsh cleansers or polish. Do not use detergents, Solvents, abrasives, spray packs or leather cleaner. Use non-color mild soap with warm water clean spills(Mix 1:10 soap to water)
- Do not place furniture under direct sunlight, material will possibly fade over time.
- Do not use on site dry Cleaning machine.
- Children should not climb or jump on the furniture.
- Do not write on furniture without a padded barrier to protect the surface.
- Not for commercial use, For residential use only.



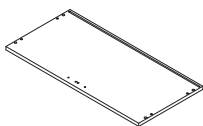
Weight Limitation

110LBS

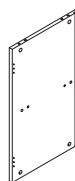
PARTS LIST



A: X1



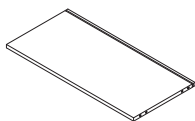
B: X1



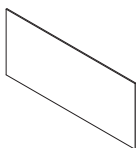
C: X1



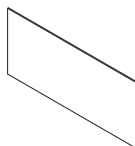
D: X1



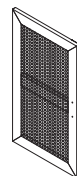
E: X1



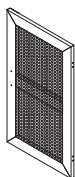
F: X1



G: X1



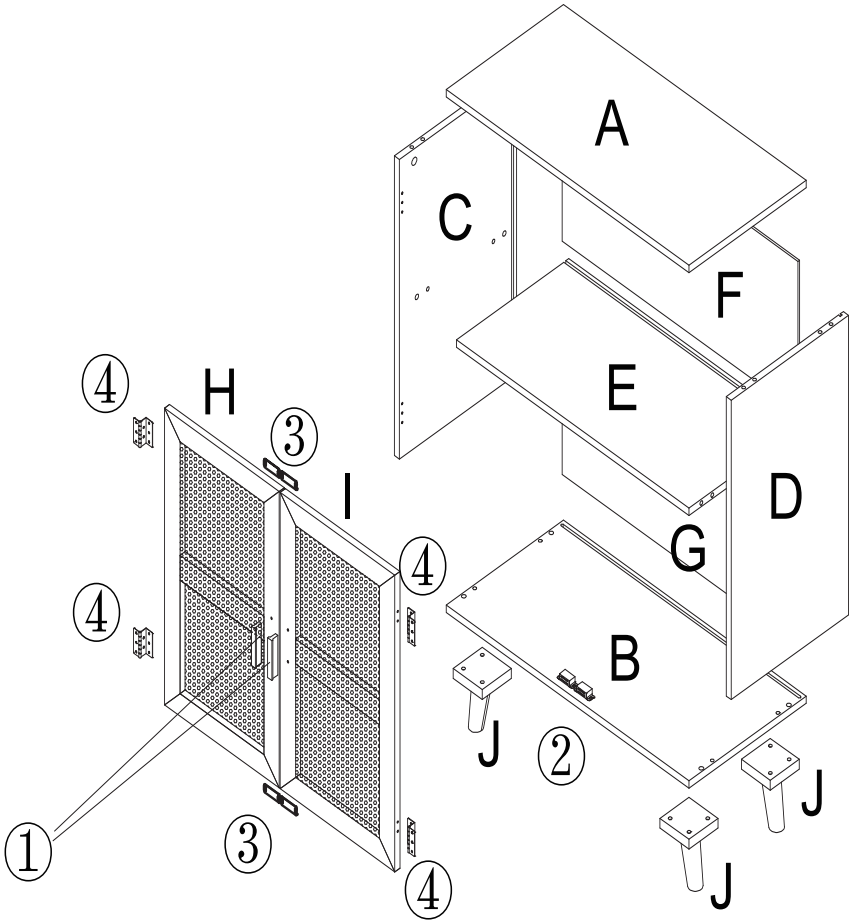
H: X1



I: X1



J: X4



OVERVIEW

HARDWARE LIST



①: X2



②: X4
M3*14mm



③: X4
M3*14mm



④: X4



⑤: X32
M3*14mm



⑥: X8



⑦: X8



⑧: X8
Ø21mm



⑨: X12
Ø8*30mm



⑩: X12
M6*25mm



⑪: X1



⑫: X1



⑬: X1



⑭: X8
M3*14mm



⑮: X4
M6*50mm

SPARE



⑤: X4
M3*14mm



⑥: X1



⑦: X1



⑧: X1
Ø21mm



⑨: X1
Ø8*30mm



⑩: X1
M6*25mm



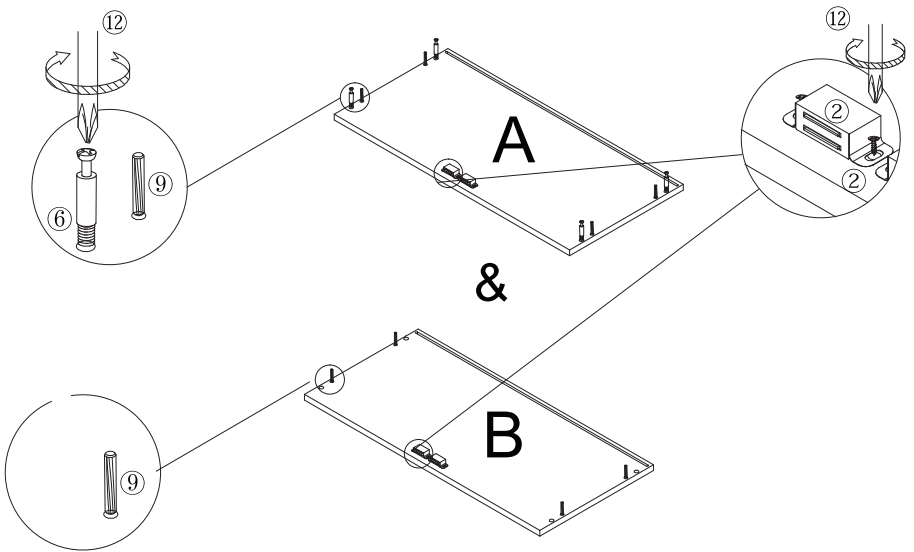
⑭: X1
M3*14mm



⑮: X1
M6*50mm

Be sure to check all packing material carefully for small parts, which may have come loose inside the carton during shipment.

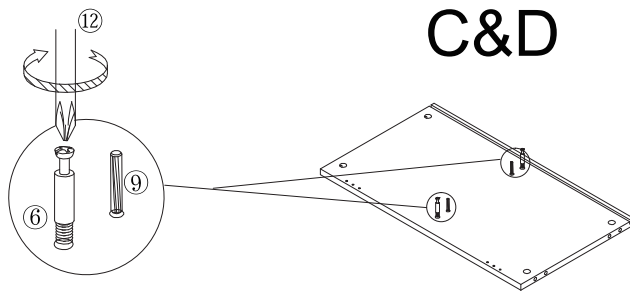
ASSEMBLY INSTRUCTIONS



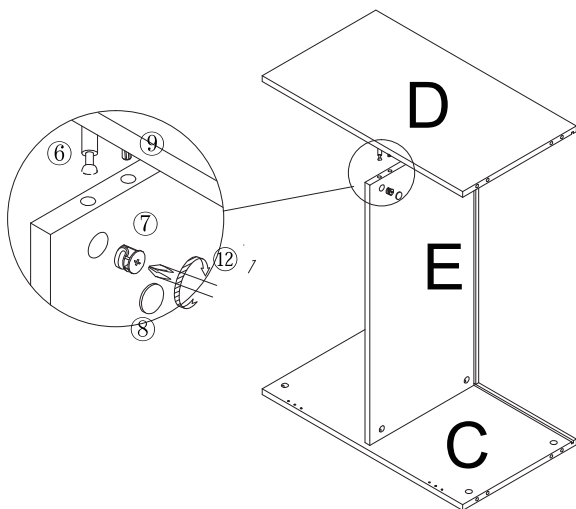
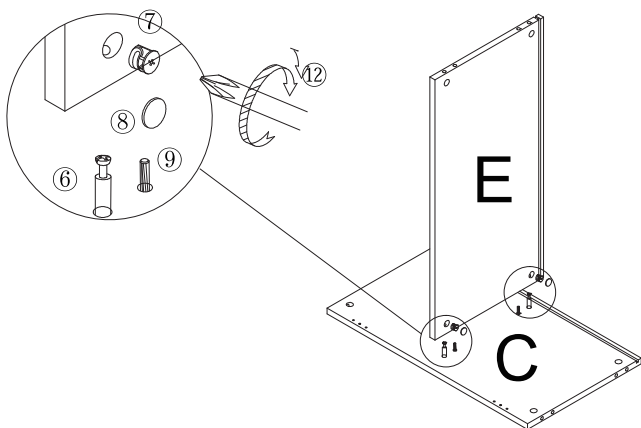
STEP 1: Preparation for panel A and as the picture show.
Insert wooden dowel#⑨ into the predrilled hole on panel A
and B.

Screw in cam bolt #⑥ into screw holes on panel A
by screwdriver#⑫.

Attach the parts#② to the position of panel A and B with
screw #② by screwdriver#⑫.



STEP 2: Preparation for panel C and D as the picture show. Screw in cam bolt #⑥ into screw holes on panel C and D by screwdriver#⑫. Insert wooden dowels into prodrilled holes on panel C and D by hand.

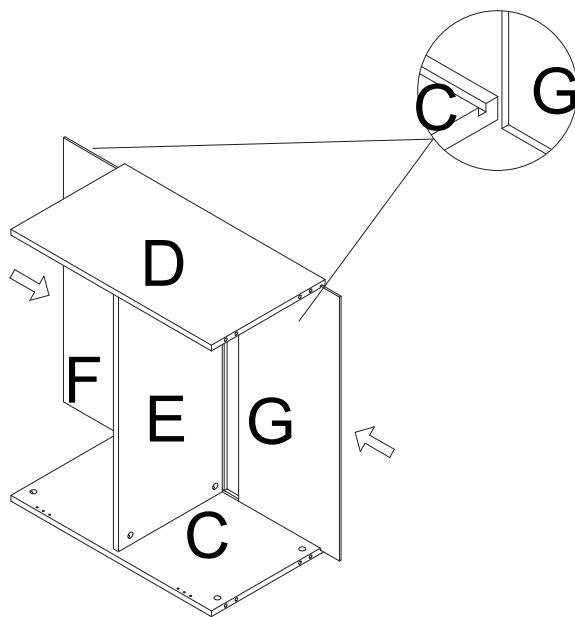


STEP 3: Attach the panel C and D to panel E as the picture show.

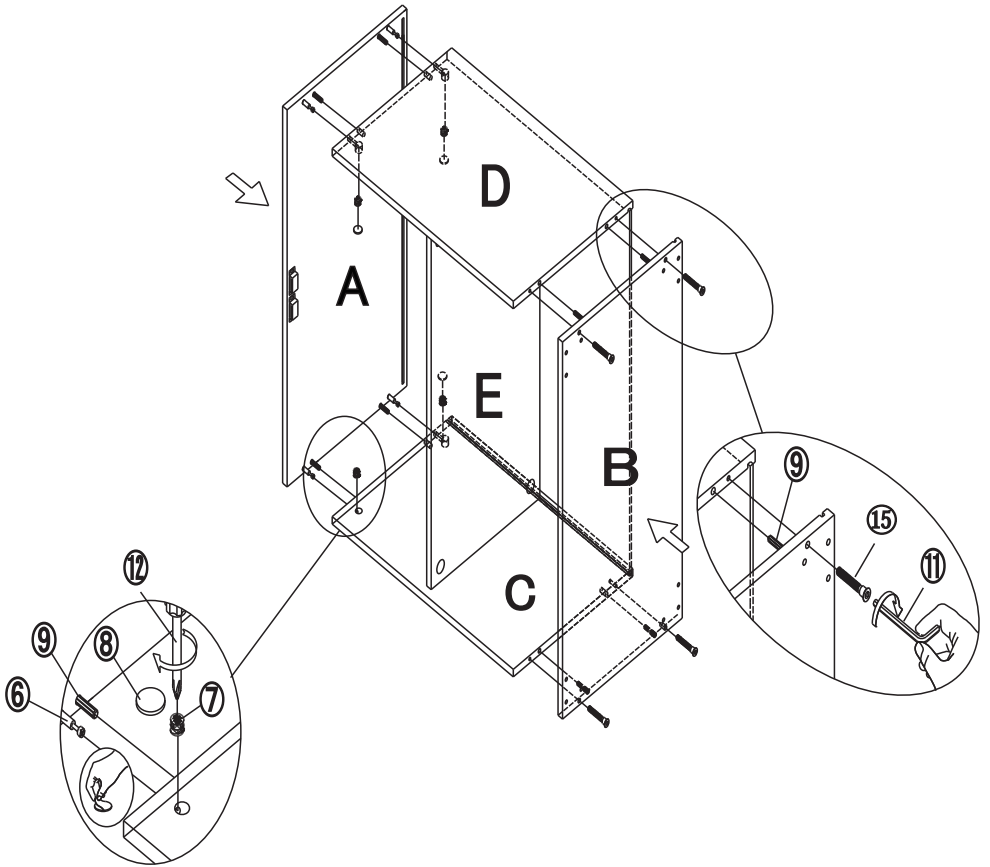
Insert cam bolts #⑥ and wooden dowels#⑨ on panel C in to the hole on panel E at the same time, then tighten the screw nut#⑦ by screwdriver#⑫.

Use the same way to finish panel D and E.

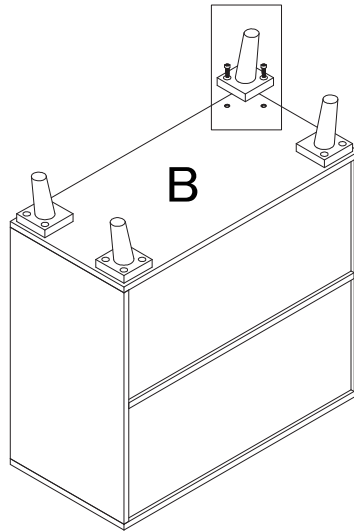
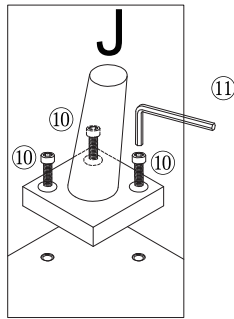
Donn't forget to use sticker #⑧ to cover the screw hole for look nice!



STEP 4: Insert the panel F and G into the grooves on panel C, D and E as the picture show.

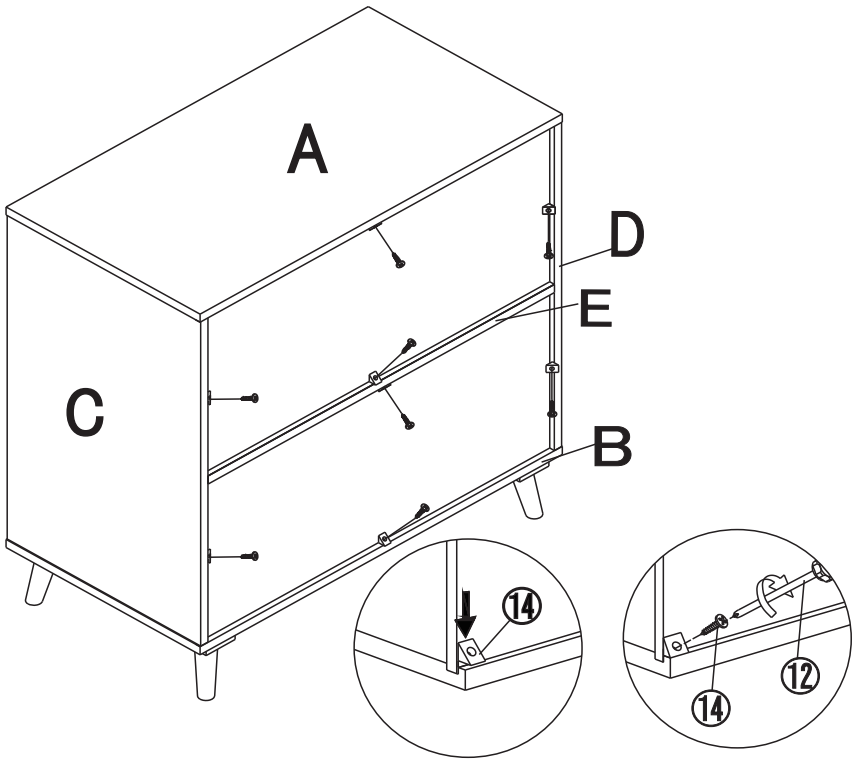


STEP 5: Attach the panel A and B to the preassembled step 4. Insert the preassembled panel A into the holes on panel C and D, then insert cam nuts #⑦ into panel C/ D, use screwdriver #⑫ to fasten it as the picture show. insert the preassembled panel B into panel C and D, then use screws ⑮ and allen key ⑪ to attach it as picture show. Don't forget to use sticer#⑧ to cover the screw holes for look nice!

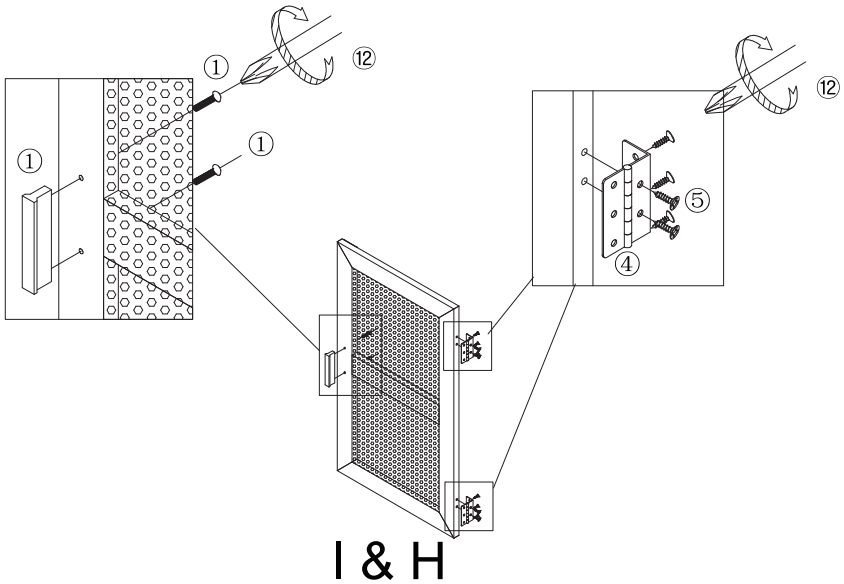


STEP 6: Attach the legs.

Align the holes on the panel B with legs J to and use bolt #⑩ to attach leg J to panel B, then tighten it by screwdriver#⑪ as the picture show.



STEP 7: Insert plastic bracket #**(14)** into the groove of back panel and panel A/B/C/D/E, use screwdriver #**(12)** to fasten screws in order to secure back panel.

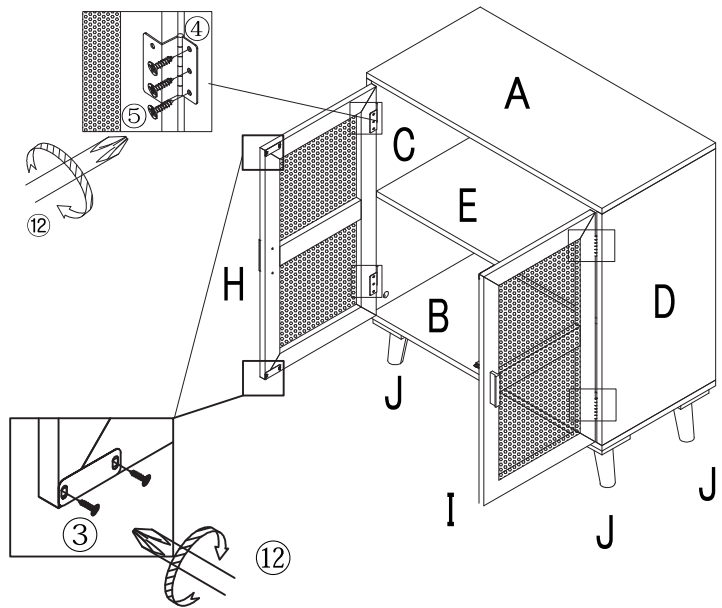


STEP8: Preparation for panel I and H.

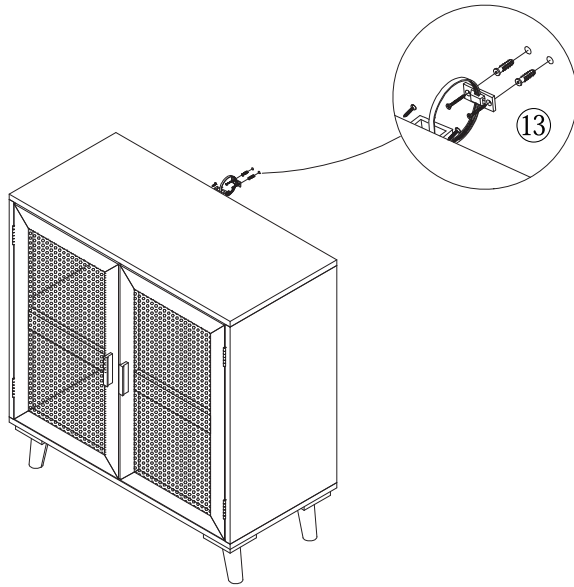
Align the hole of panel I&H with handle#① and use screw#① to attache handle#① to panel I&H, tighten it with screwdriver #⑫.

use screw#⑤ to attach hardware #④ to panel H&I,tighten it with screwdriver #⑫.

Make sure install the screw on the predrilled position.



STEP9: Use screw #③ to attach metal plate#③ to panel H&I ,tighten it with screwdriver#⑫, then use screw #⑤ to attach hardware#④ on the panel I&H to panel C&D,tighten it with screwdriver#⑫.
Make sure use the predrilled positionson on the panel.



STEP 10: Install the anti-collapse set.

WARRANTY

We strive to offer high-quality products, and we also try our best to satisfy each and every customer that orders from us with product or service as needed. We provide 30 days warranty starting from the time you receive the item. Each customer must provide a record of their order such as the order number, or item receipt for any items that are out of the warranty period you may also still receive replacement parts by purchasing them with our company if they are available.

**Are you having difficulty
with assembly? Missing parts?**

**Please send email with your order No
customerservice@hulalahome.com**

**For return, Please check the return policy with
the retailer or MarketPlace you bought from.**

**Appreciated your purchasing from us.
Pop up your life by our furniture piece!**