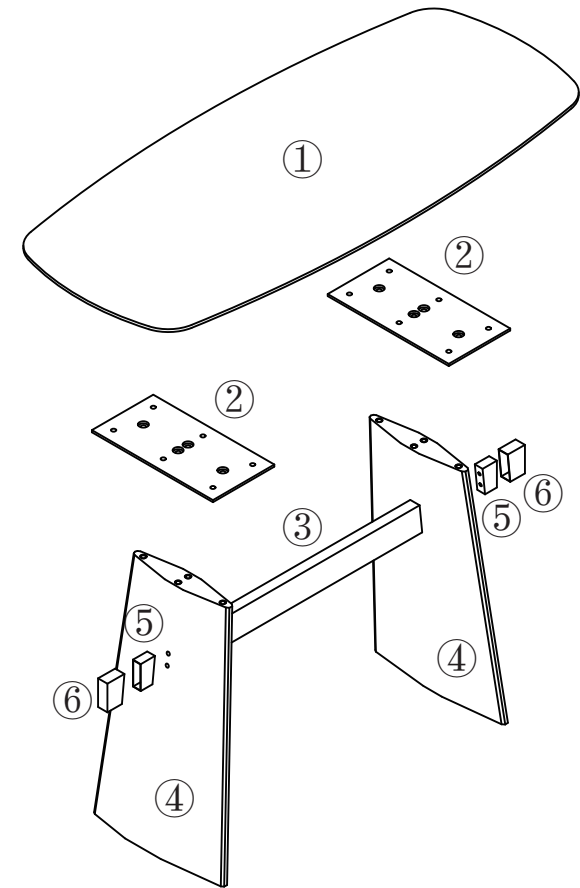
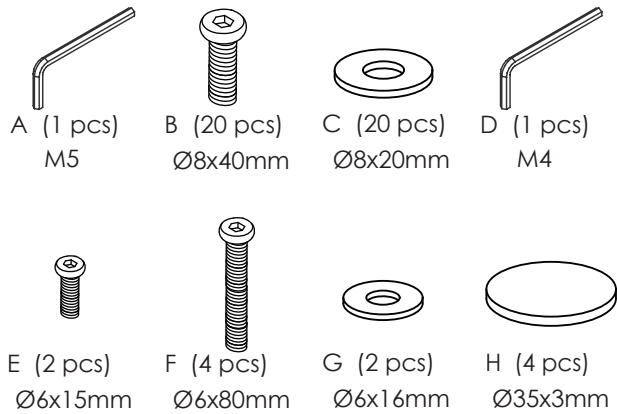


# Assembly Instructions

## FOLKE-55 Desk

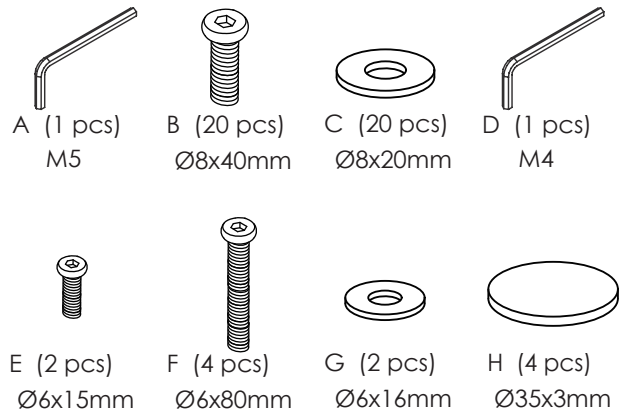
PLEASE NOTE: Check that you have received all components and hardware before assembling. If you are missing any parts, contact your retailer.



During assembly, hand tighten screws only. When the screws are in place, tighten completely.

# Assembly Instructions

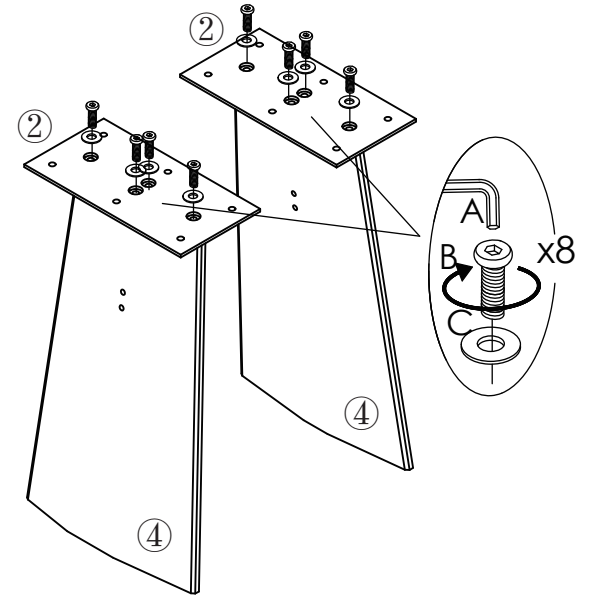
## FOLKE-55 Desk



01.08.24 ms

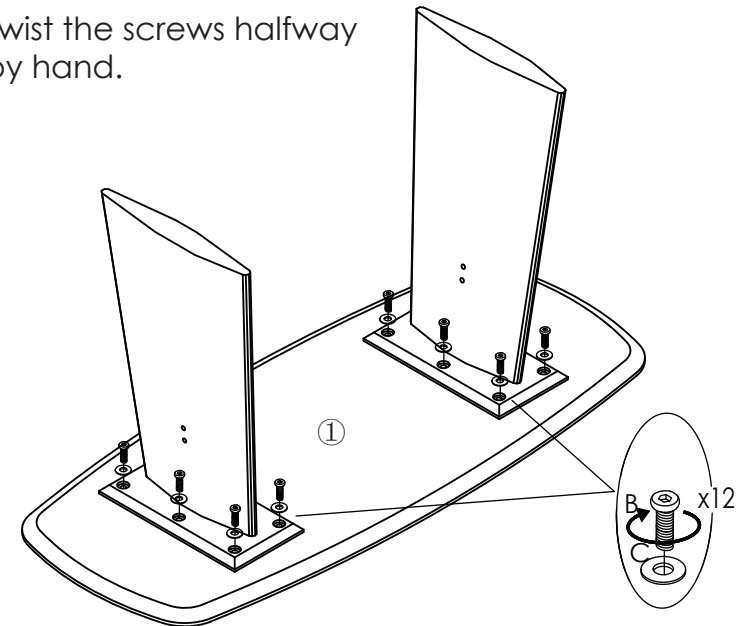
PLEASE NOTE: Check that you have received all components and hardware before assembling. If you are missing any parts, contact your retailer.

1.



2.

Twist the screws halfway by hand.



During assembly, hand tighten screws only. When the screws are in place, tighten completely.

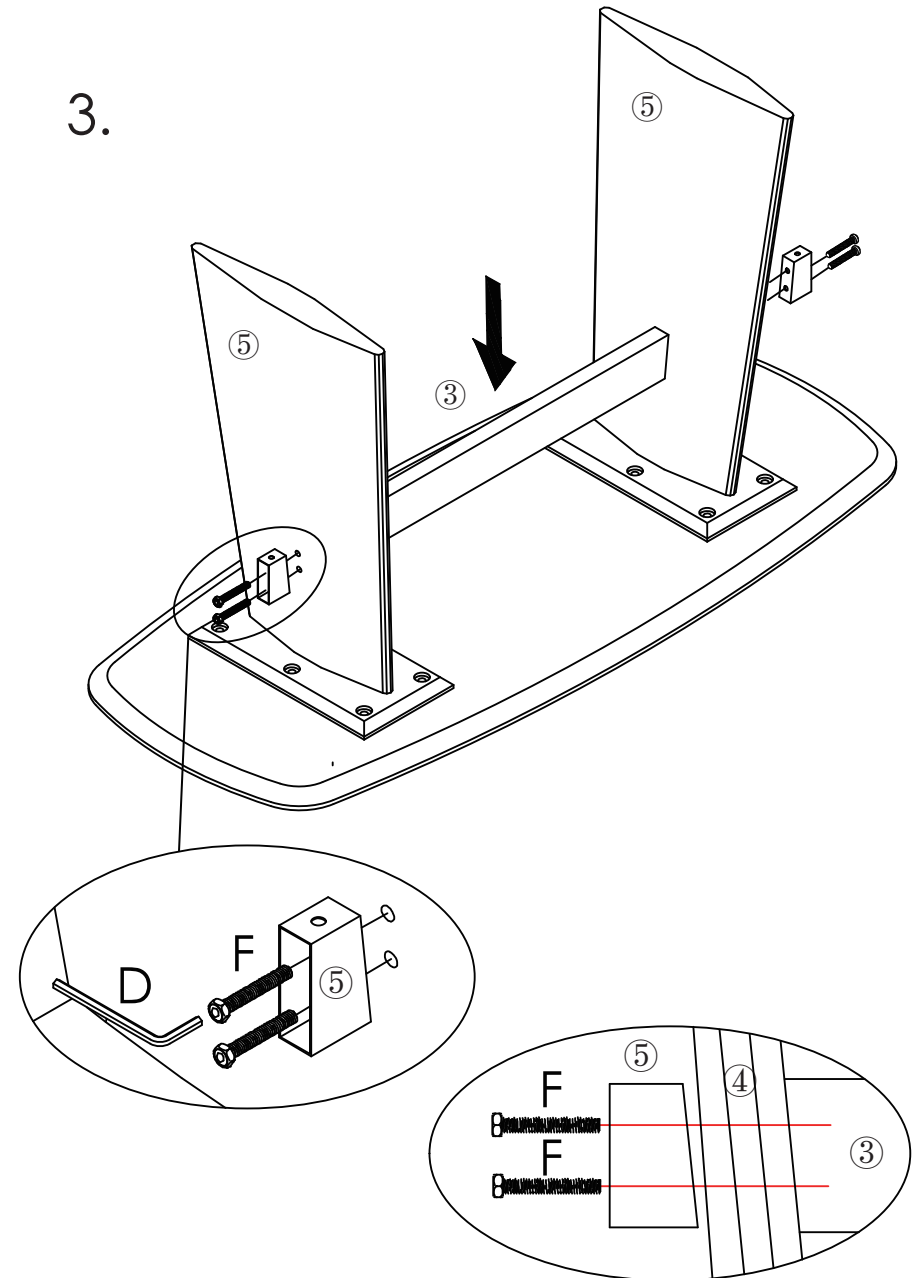
# Assembly Instructions


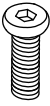





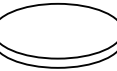
## FOLKE-55 Desk

PLEASE NOTE: Check that you have received all components and hardware before assembling. If you are missing any parts, contact your retailer.



3.



- |   |   |   |   |
|---|---|---|---|
|  |  |  |  |
| A (1 pcs)<br>M5   | B (20 pcs)<br>Ø8x40mm   | C (20 pcs)<br>Ø8x20mm   | D (1 pcs)<br>M4   |
|  |  |  |  |
| E (2 pcs)<br>Ø6x15mm  | F (4 pcs)<br>Ø6x80mm  | G (2 pcs)<br>Ø6x16mm  | H (4 pcs)<br>Ø35x3mm  |

During assembly, hand tighten screws only. When the screws are in place, tighten completely.

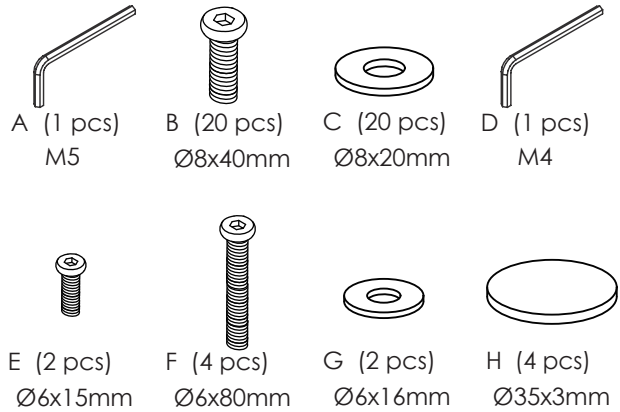
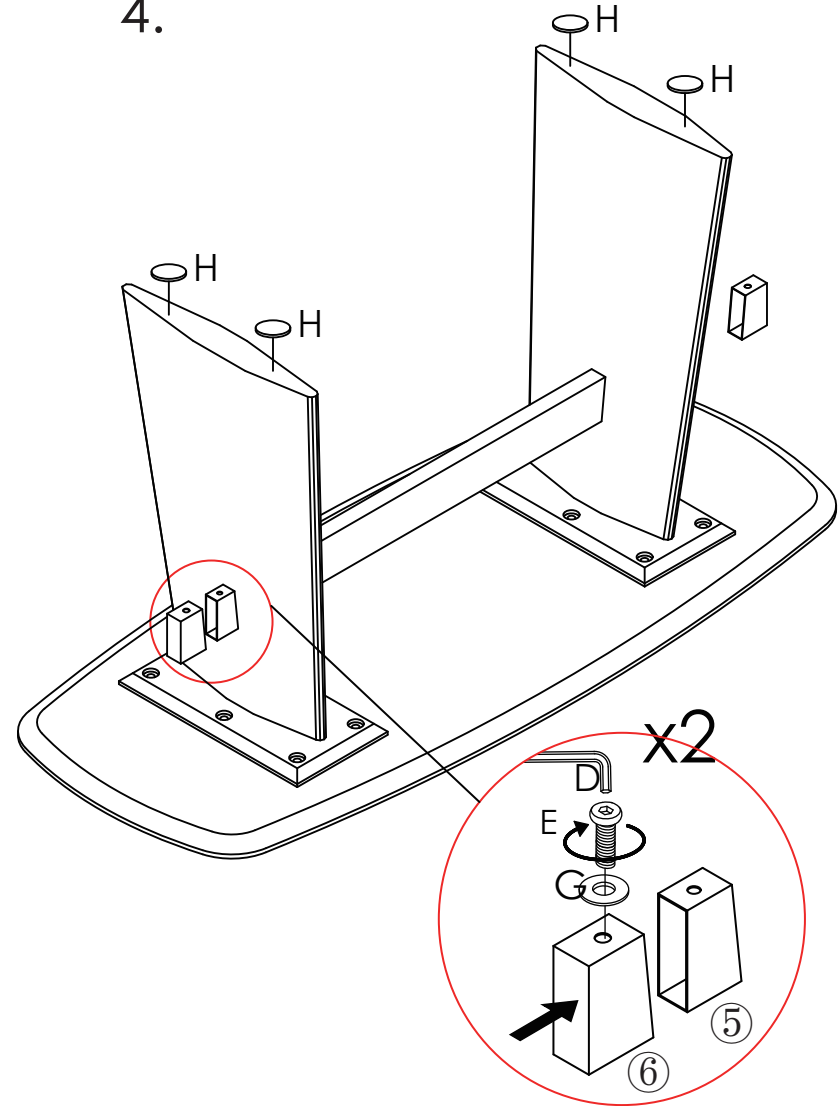
# Assembly Instructions

## FOLKE-55 Desk

PLEASE NOTE: Check that you have received all components and hardware before assembling. If you are missing any parts, contact your retailer.



4.



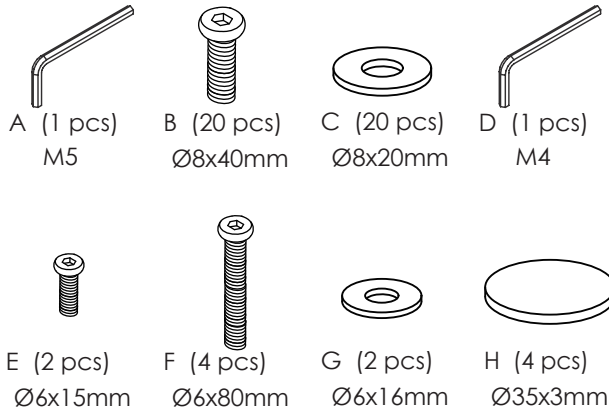
01.08.24 ms

During assembly, hand tighten screws only. When the screws are in place, tighten completely.

# Assembly Instructions

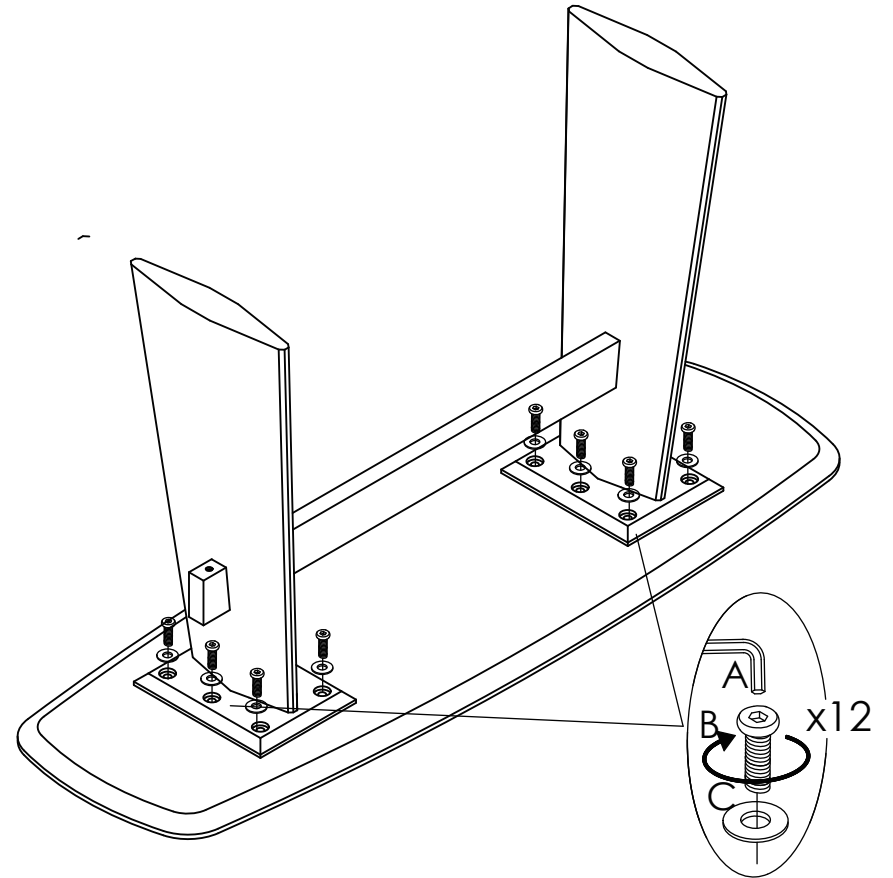
## FOLKE-55 Desk

PLEASE NOTE: Check that you have received all components and hardware before assembling. If you are missing any parts, contact your retailer.



01.08.24 ms

5.



Use the wrench (A) to tighten the screws all the way.

During assembly, hand tighten screws only. When the screws are in place, tighten completely.

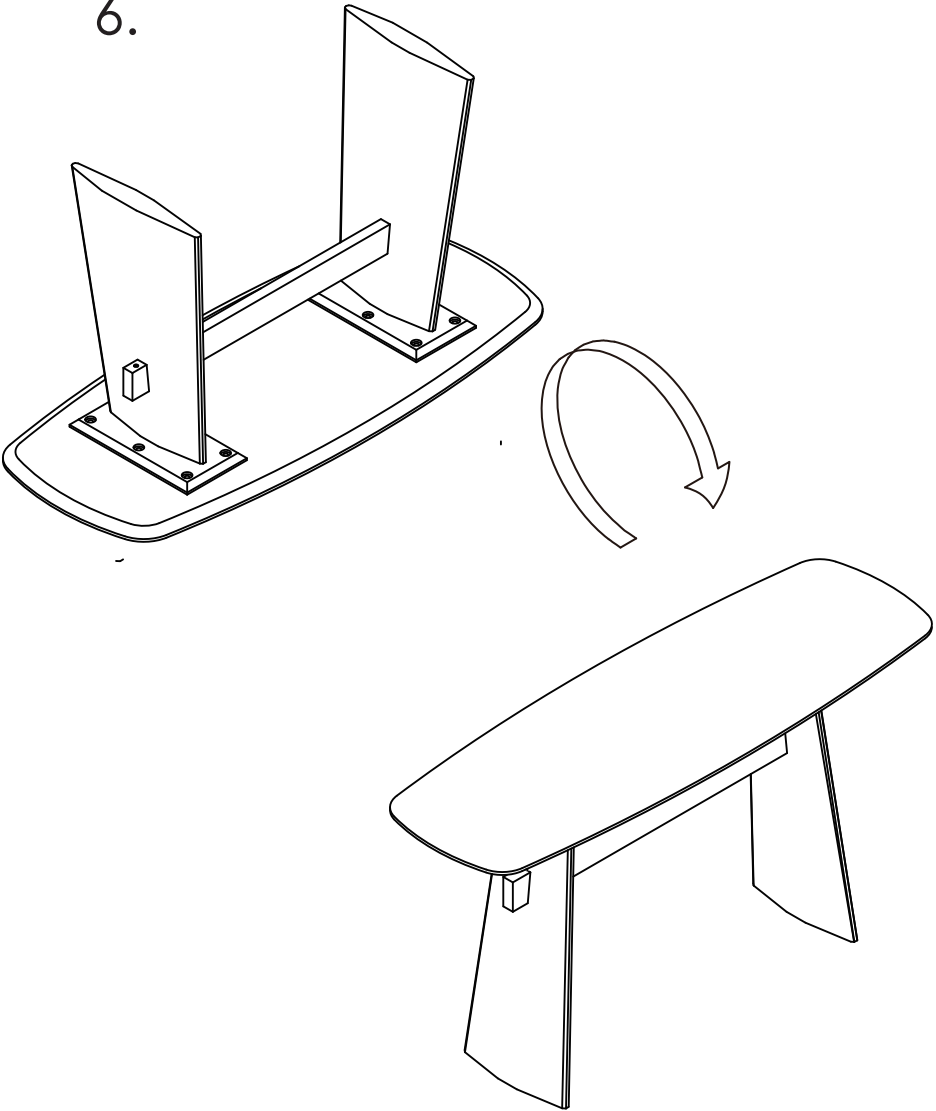
# Assembly Instructions


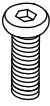
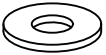





## FOLKE-55 Desk

PLEASE NOTE: Check that you have received all components and hardware before assembling. If you are missing any parts, contact your retailer.



6.



- |   |   |   |   |
|---|---|---|---|
|  |  |  |  |
| A (1 pcs)<br>M5   | B (20 pcs)<br>Ø8x40mm   | C (20 pcs)<br>Ø8x20mm   | D (1 pcs)<br>M4   |
|  |  |  |  |
| E (2 pcs)<br>Ø6x15mm  | F (4 pcs)<br>Ø6x80mm  | G (2 pcs)<br>Ø6x16mm  | H (4 pcs)<br>Ø35x3mm  |

01.08.24 ms

During assembly, hand tighten screws only. When the screws are in place, tighten completely.