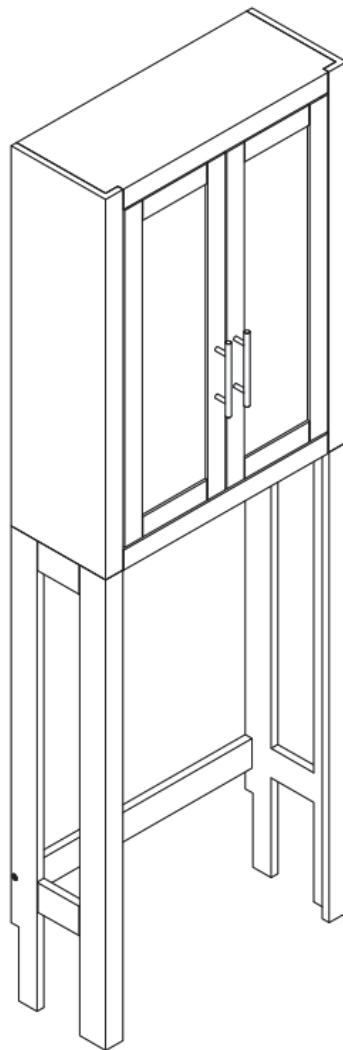


# **CROSLEY**

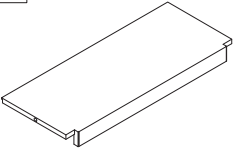


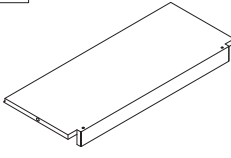
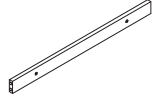
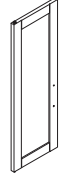
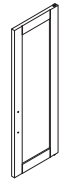
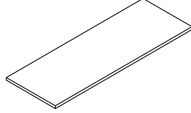
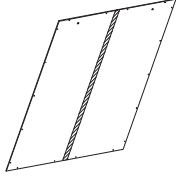

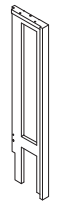
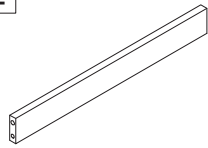
FURNITURE

## Space Saver

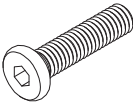
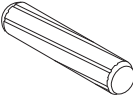
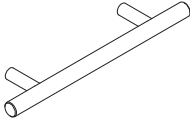

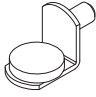
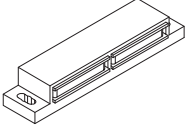
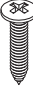

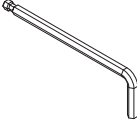


### CF7025



# PART LIST

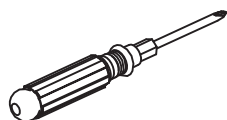
<p><b>A</b></p> 	<p><b>B</b></p> 	<p><b>C</b></p> 	<p><b>D</b></p> 	<p><b>E</b></p> 
<p>Top Panel 1 PC</p>	<p>Upper Left Panel 1 PC</p>	<p>Upper Right Panel 1 PC</p>	<p>Bottom Panel 1 PC</p>	<p>Upper Rail 1 PC</p>
<p><b>F</b></p> 	<p><b>G</b></p> 	<p><b>H2</b></p> 	<p><b>I2</b></p> 	<p><b>J</b></p> 
<p>Left Door 1 PC</p>	<p>Right Door 1 PC</p>	<p>Adjustable Shelf 2 PCS</p>	<p>Back Panel 1 PC</p>	<p>Lower Left Panel 1 PC</p>
<p><b>K</b></p> 	<p><b>L</b></p> 			
<p>Lower Right Panel 1 PC</p>	<p>Lower Rail 1 PC</p>			

# HARDWARE LIST

<p>#1</p>  <p>Ø<math>\frac{1}{4}</math>" x 1"</p>	<p>#2</p>  <p>Ø8 x 30mm</p>	<p>#3</p> 	<p>#4</p>  <p>Ø4 x 22mm</p>	<p>#5</p> 
<p>Long Bolt 14 PCS (Extra 1)</p>	<p>Wood Dowel 12 PCS (Extra 1)</p>	<p>Handle 2 PCS</p>	<p>Short Bolt 4 PCS (Extra 1)</p>	<p>Shelf Holder 8 PCS (Extra 1)</p>
<p>#6</p> 	<p>#7</p>  <p>Ø3 x 15mm</p>	<p>#8</p>  <p>Ø3 x 10mm</p>	<p>#9</p> 	<p>#10</p>  <p>Ø8 x 38mm</p>
<p>Double Magnet 1 PC</p>	<p>Screw 2 PCS</p>	<p>Short Screw 18 PCS (Extra 2)</p>	<p>Allen Wrench 1 PC</p>	<p>Wall Anchor 2 PCS</p>
<p>#11</p>  <p>Ø4 x 38mm</p> <p>Long Screw 2 PCS</p>				

## ADDITIONAL TOOLS (Not Provided)

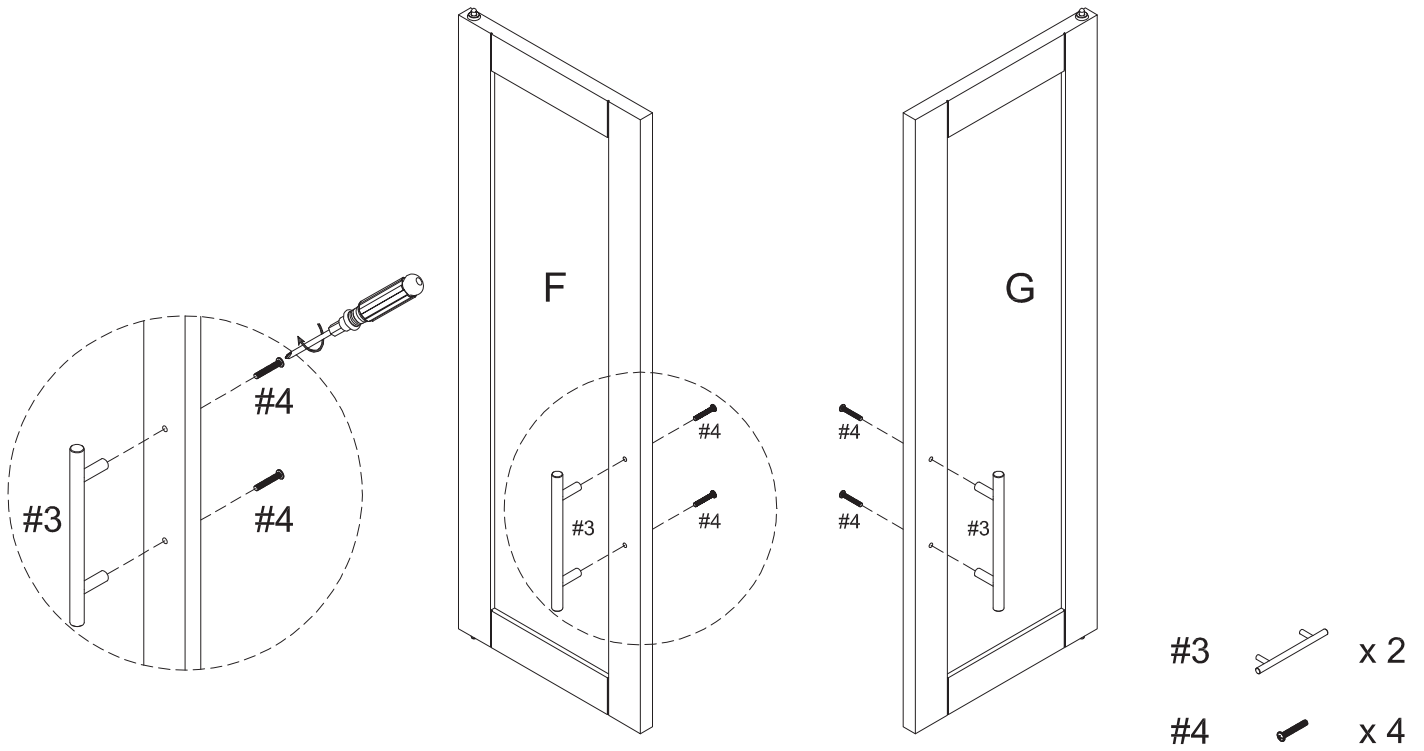
Note: It is not recommended to use power tools during assembly.



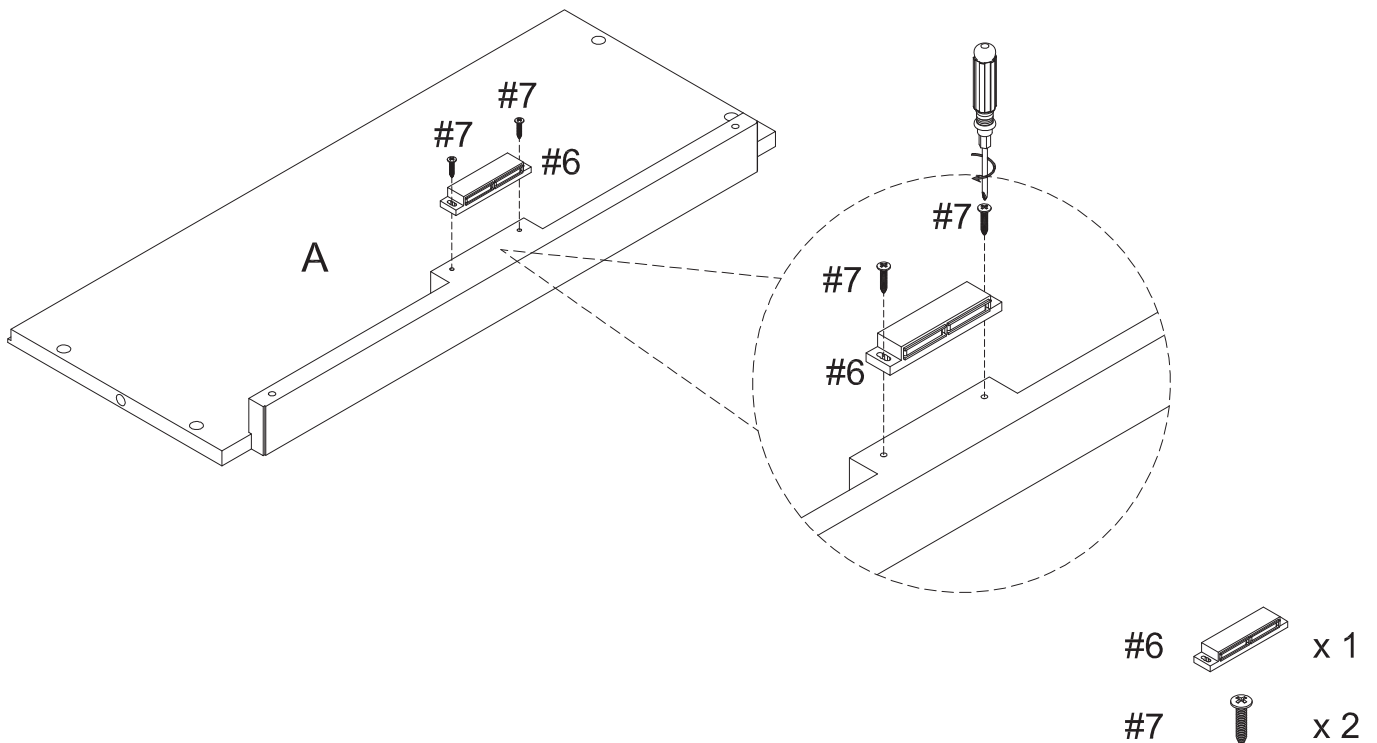
Phillips Head Screwdriver

Note: Wood dowels are intended for alignment. Additional clearance between wood dowel and pre-drilled hole is intentional for ease of assembly.

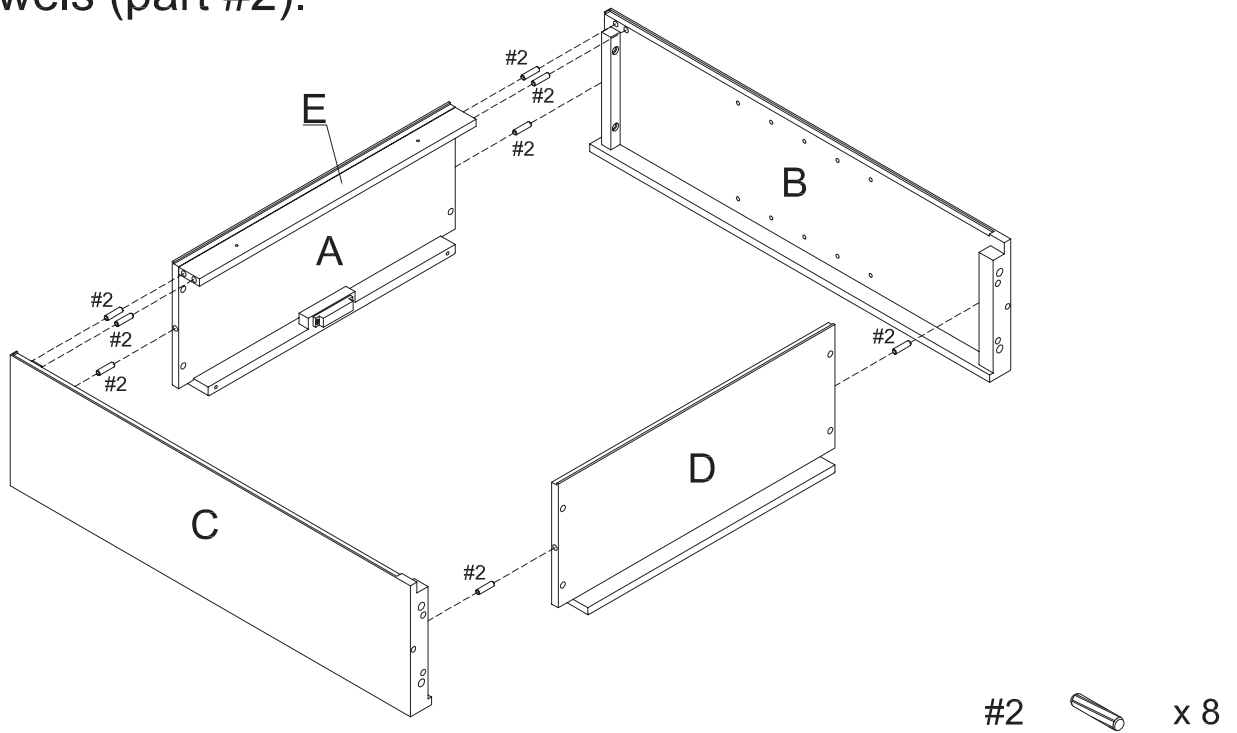
Step 1. Attach handles (part #3) to doors (parts F & G) using short bolts (part #4) and phillips head screwdriver.



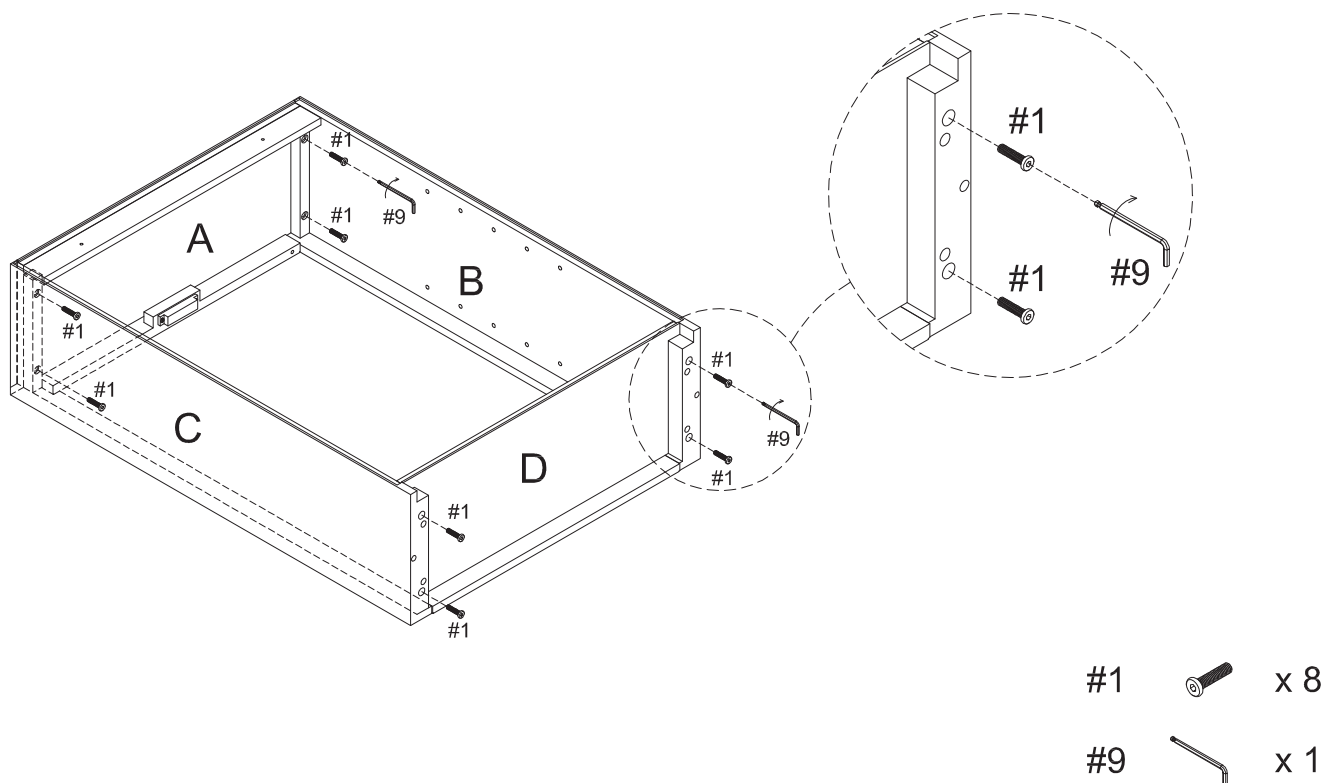
Step 2. Attach double magnet (part #6) to top panel (part A) using screws (part #7) and phillips head screwdriver.



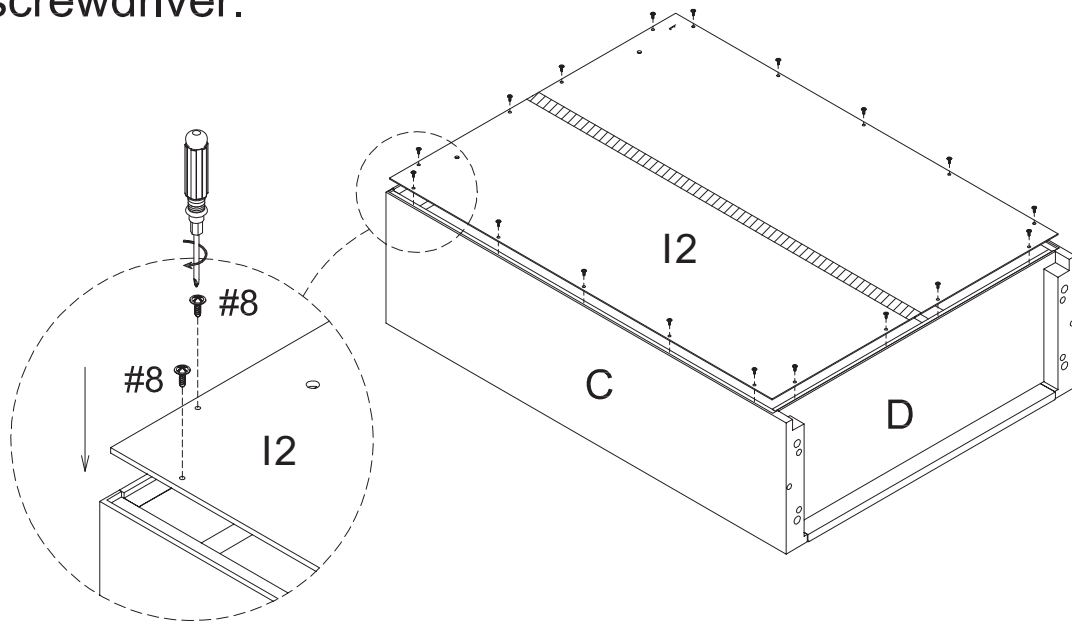
Step 3. Attach upper panels (parts B & C) to top panel (part A), upper rail (part E) and bottom panel (part D) using wood dowels (part #2).



Step 4. Attach long bolts (part #1) to assembled unit (parts A, B, C & D) using allen wrench (part #9).

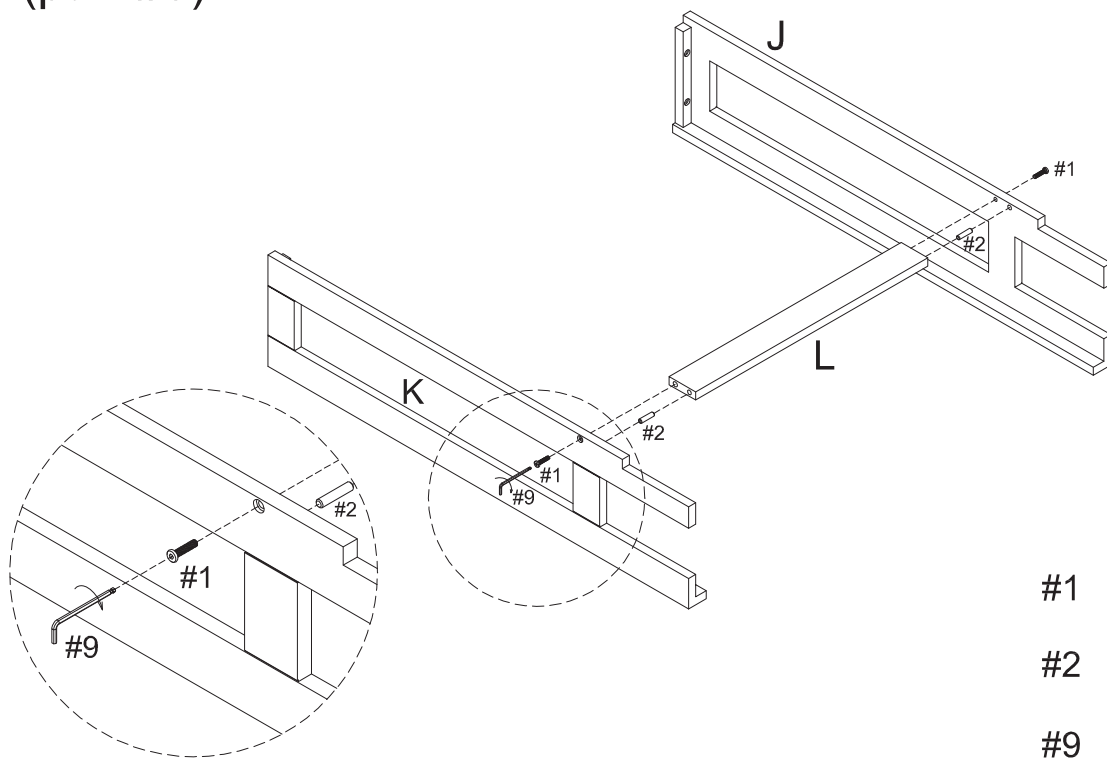


Step 5. Attach back panel (part I2) to assembled unit (parts A, B, C & D) using short screws (part #8) and phillips head screwdriver.



#8  x 18

Step 6. Attach lower panels (parts J & K) to lower rail (part L) using wood dowels (part #2), long bolts (part #1) and allen wrench (part #9).

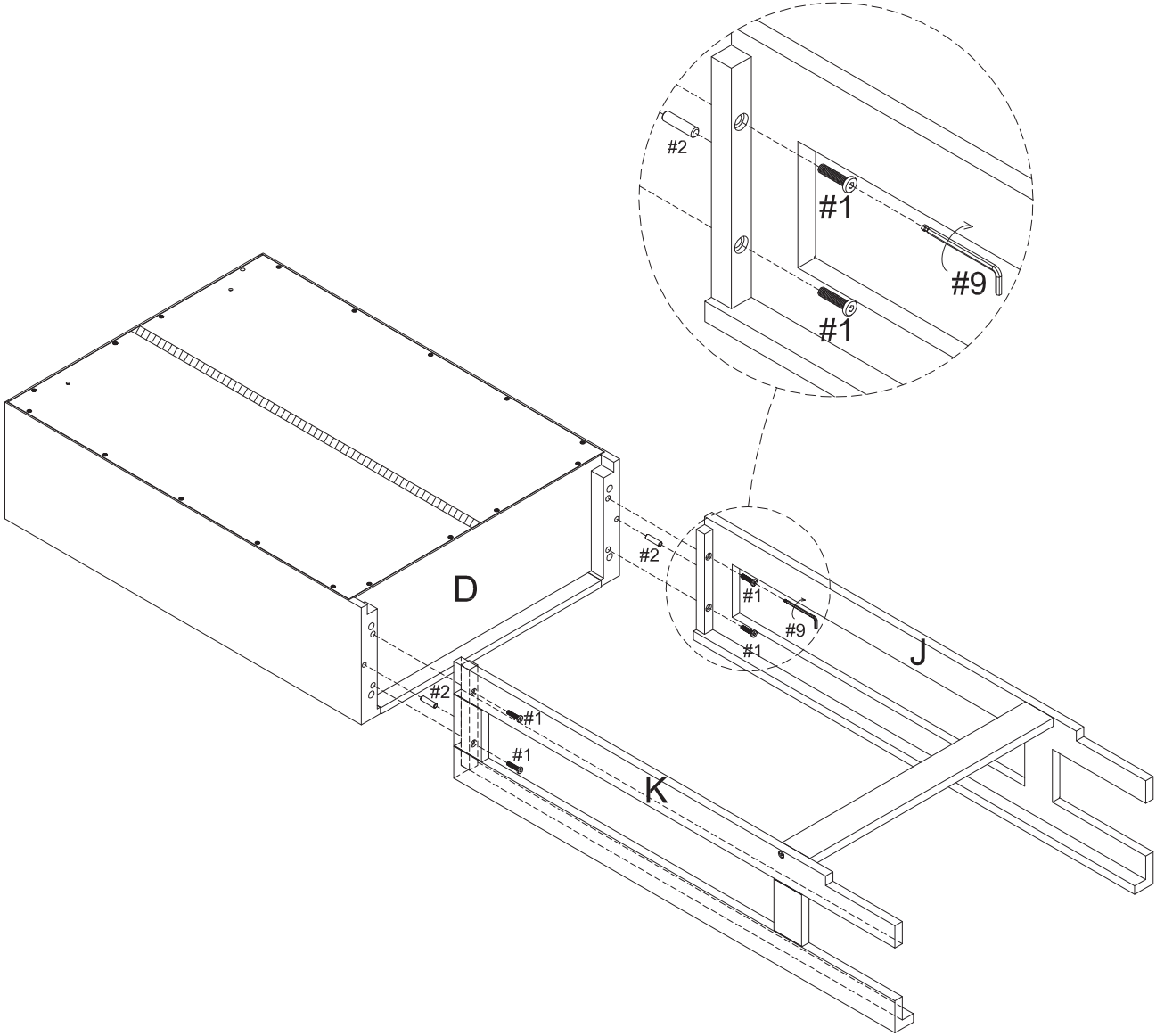




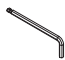
#1  x 2

#2  x 2

#9  x 1

Step 7. Attach assembled unit (parts J & K) to bottom panel (part D) using wood dowels (part #2), long bolts (part #1) and allen wrench (part #9).

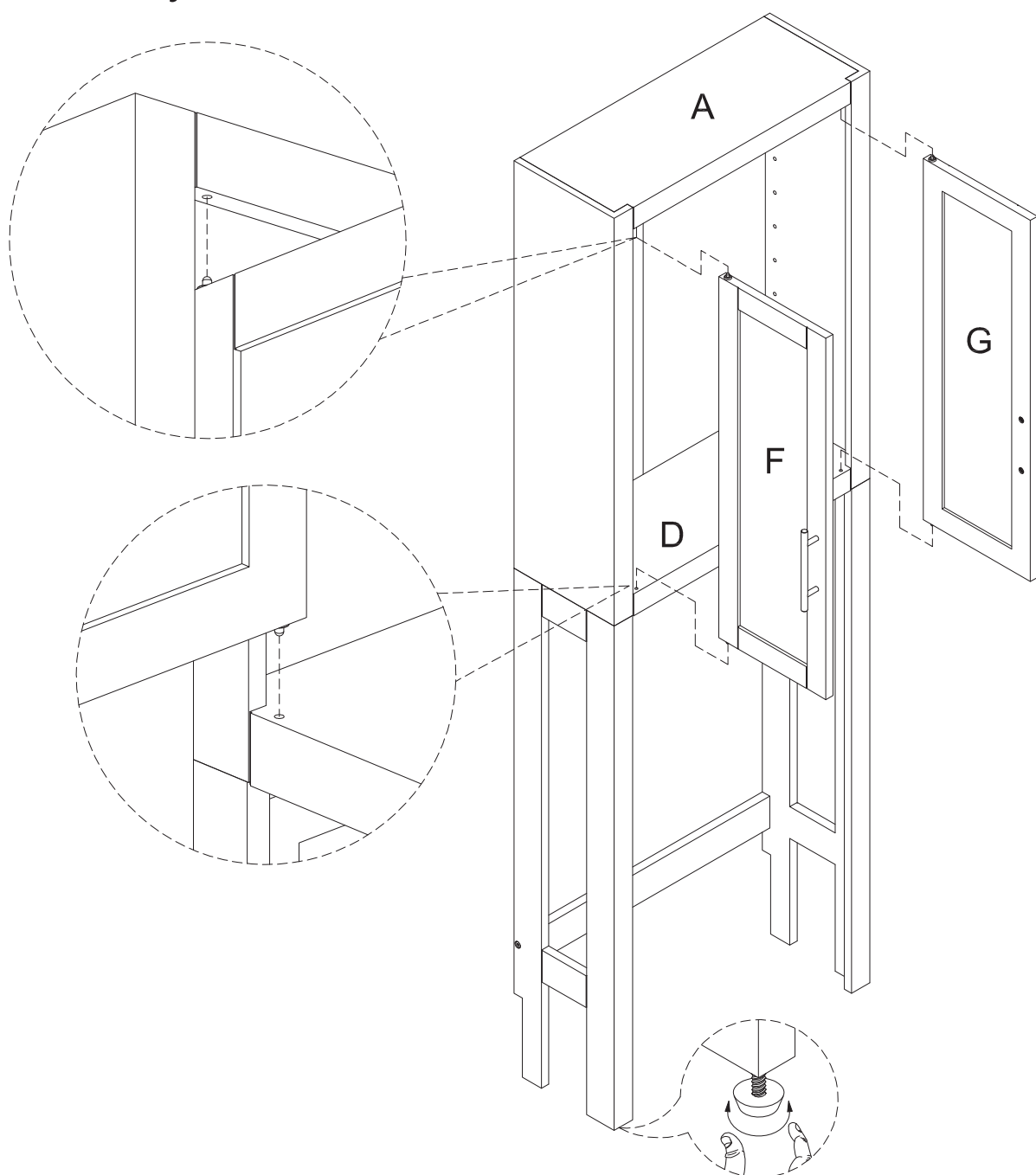


- #1  x 4
- #2  x 2
- #9  x 1

Step 8. Carefully turn unit upright. Attach doors (parts F & G) by placing bottom pin hinge (pre-installed in door) in the pre-drilled hole of bottom panel (part D). Then depress the top spring-loaded pin hinge so it can be placed in the pre-dilled hole of top panel (part A).

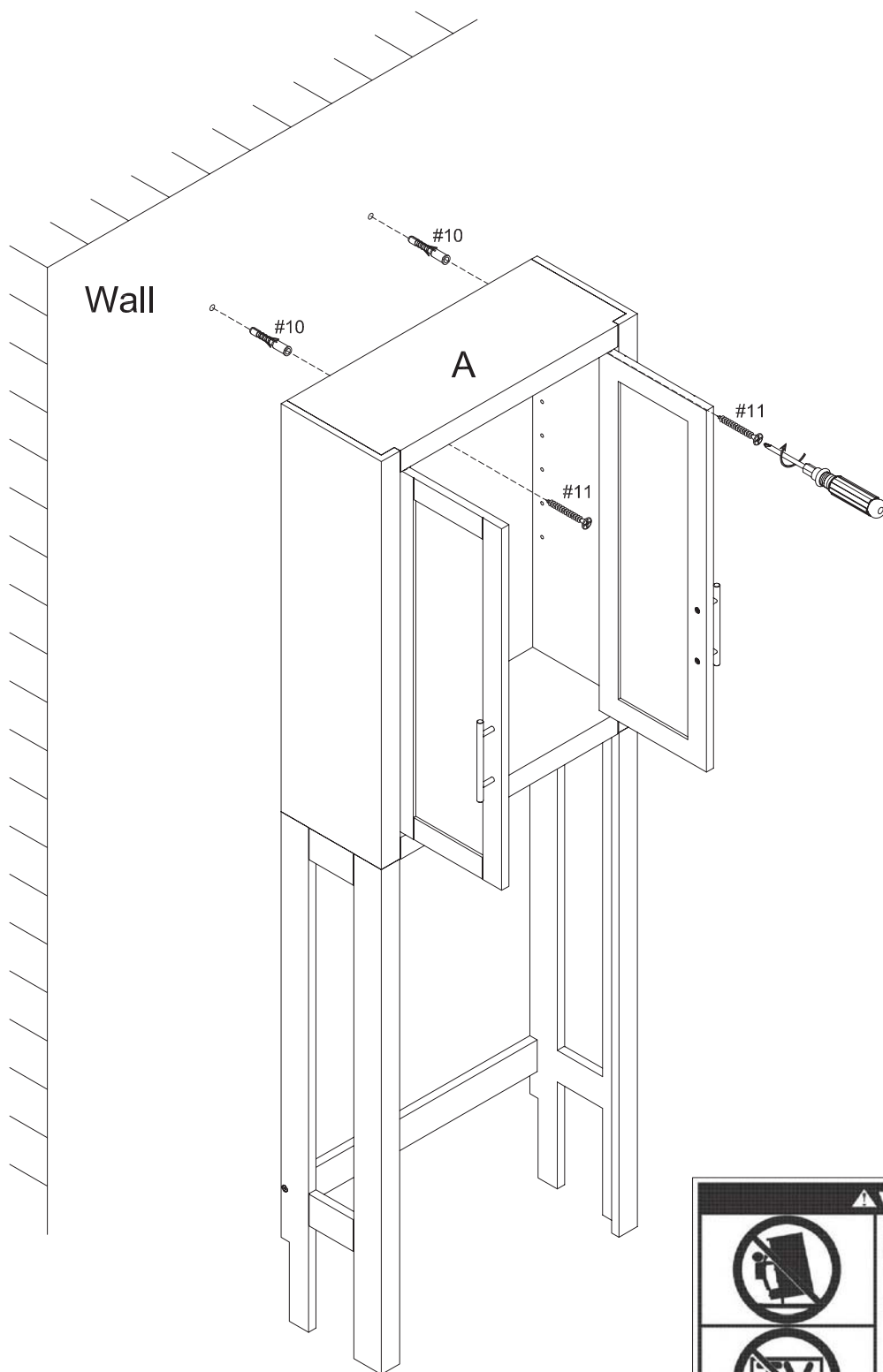
Note: Be sure top and bottom pin hinges are fully extended to secure doors in place.



Note: It is important to adjust levelers once fully assembled and upright. Extend adjustable leveler until it's firmly in contact with the floor. If relocating, adjust leveler as needed until it's firmly in contact with the floor in new location.





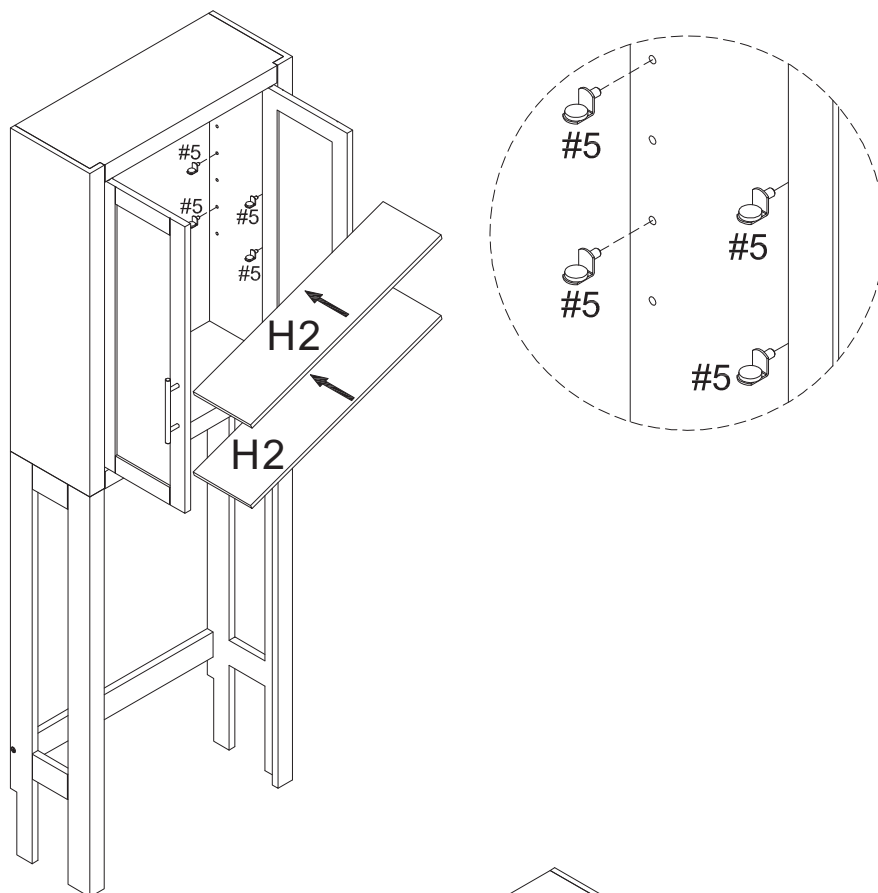
Step 9. Drill two 11/32" holes where you want to secure your unit. The hole should be at the same height as the hole in the back panel (part I). Tap wall anchors (part #10) into the hole. Insert long screws (part #11) into wall anchors (part #10) using phillips head screwdriver.



- #10  x 2
- #11  x 2

<b>⚠ WARNING</b>	
	<b>Children have died from furniture tipover. To reduce the risk of furniture tipover:</b> <ul style="list-style-type: none"><li>• ALWAYS install tipover restraint provided.</li><li>• NEVER put a TV on this product.</li><li>• NEVER allow children to stand, climb or hang on drawers, doors, or shelves.</li><li>• NEVER open more than one drawer at a time.</li><li>• Place heaviest items in the lowest drawers.</li></ul> <i>This is a permanent label. Do not remove!</i>
	

Step 10. Insert shelf holders (part #5) into desired position and slide adjustable shelves (part H2).



#5  x 8

