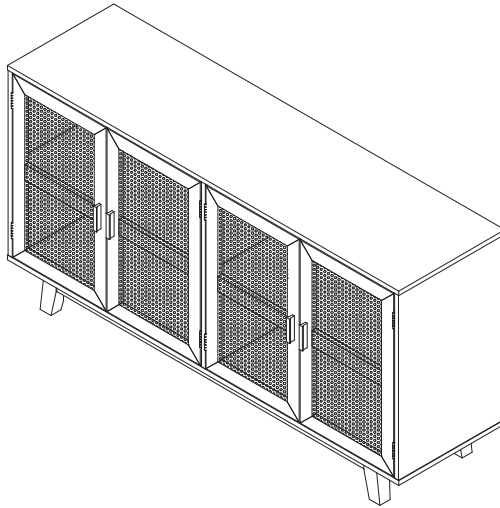


HULALA

H O M E



ITEM NO. TVSLS0462

NOTE:

This brochure contains IMPORTANT safety info. Please read and keep for future reference.

MAINTAINANCE AND WARNING

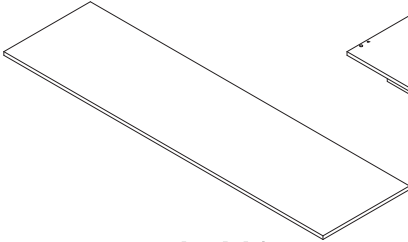
- Keep furniture away from heat.
- Do not clean furniture with harsh cleansers or polish. Do not use detergents, Solvents, abrasives, spray packs or leather cleaner. Use non-color mild soap with warm water clean spills(Mix 1:10 soap to water).
- Do not place furniture under direct sunlight, material will possibly fade over time.
- Do not use on site dry Cleaning machine.
- Children should not climb or jump on the furniture.
- Do not write on furniture without a padded barrier to protect the surface.
- Not for commercial use. For residential use only.



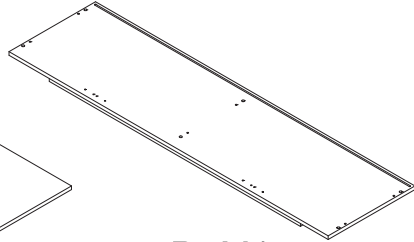
Weight Limitation

110LBS

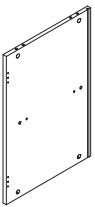
PARTS LIST



A: X1



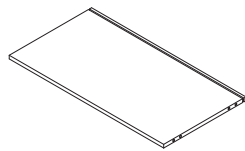
B: X1



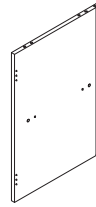
C: X1



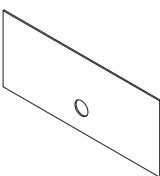
D: X1



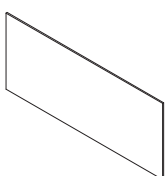
E: X2



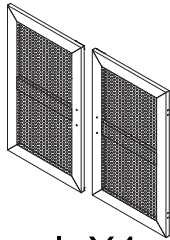
F: X1



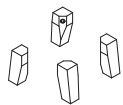
G: X2



H: X2



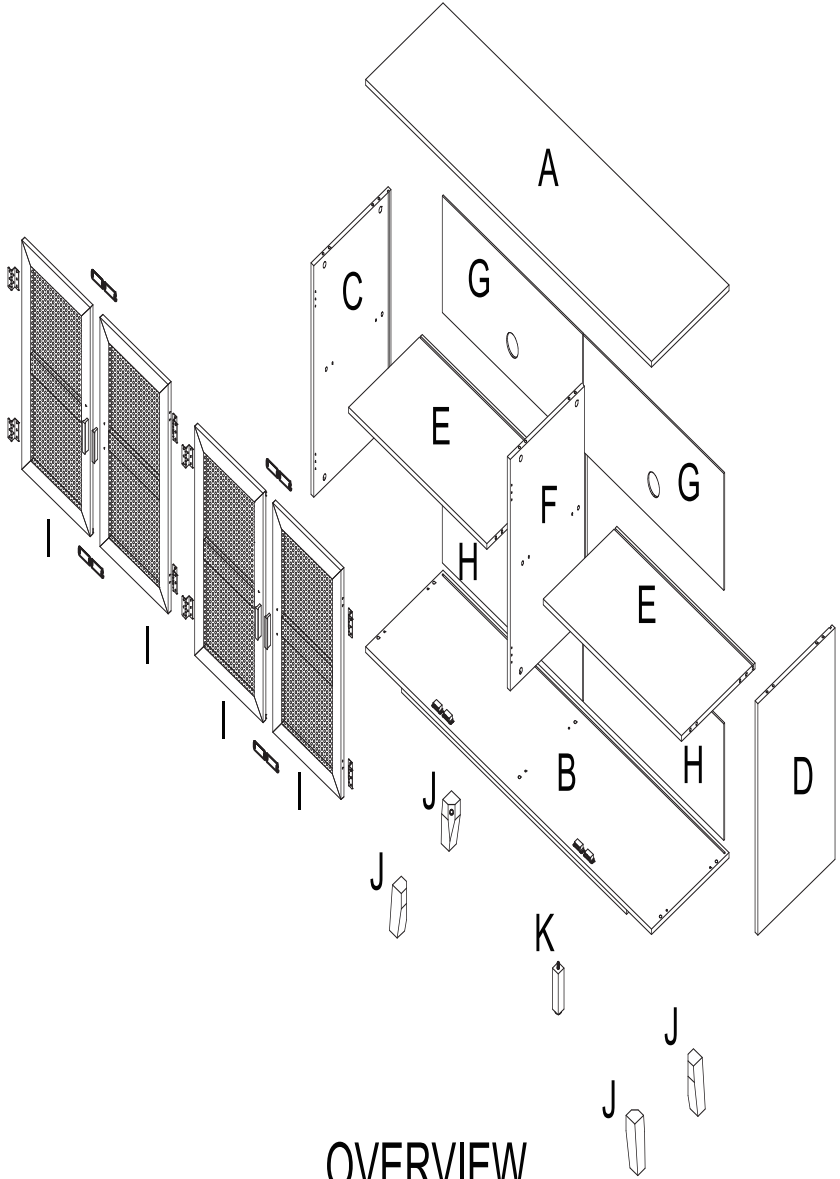
I: X4



J: X4



K: X1



OVERVIEW

HARDWARE LIST



①: X4



②: X8



③: X10



④: X14



⑤: X14



⑥: X2



⑦: X8



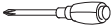
⑧: X64
ST 3*14



⑨: X20
Ø8*30



⑩: X4
M8*50



⑪: X1



⑫: X1



⑬: X1 M8



⑭: X2



⑮: X4



⑯: X4



⑰: X6
M6*50mm



⑱: X1 M6



⑲: X8
M3*14mm

SPARE



③: X1



④: X1



⑤: X1



⑧: X7
ST3*14



⑨: X1
Ø8*30



⑩: X1
M8*50



⑮: X1



⑯: X1



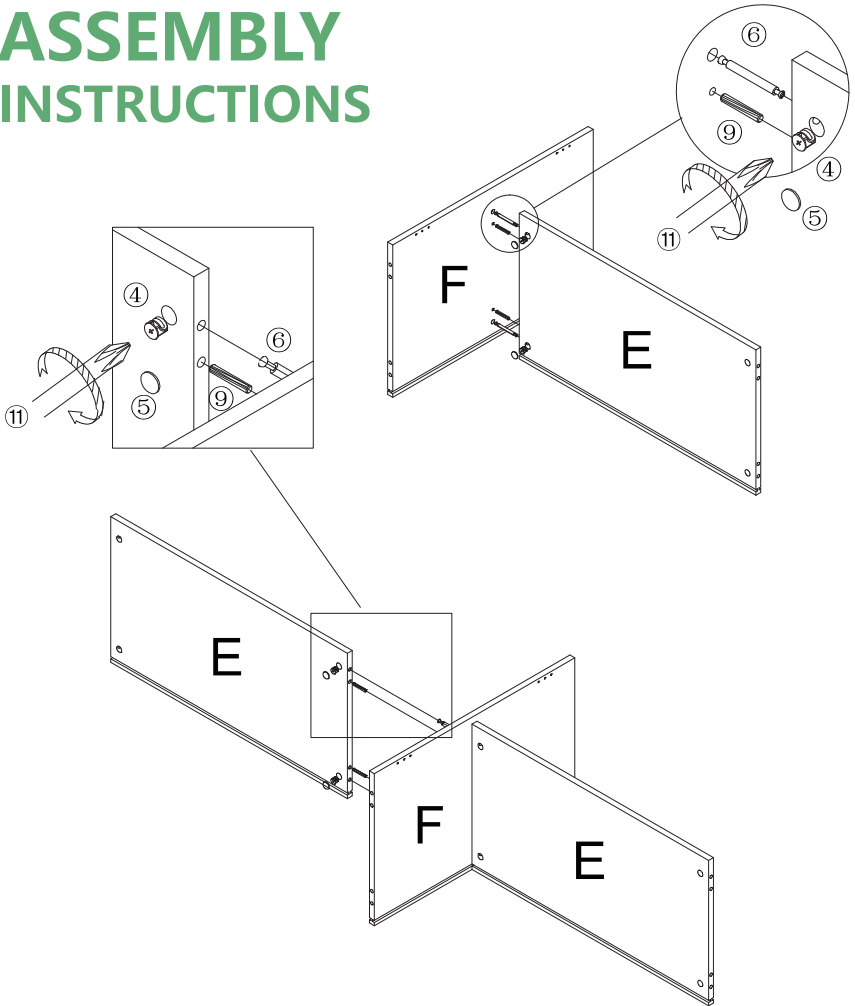
⑰: X1
M6*50mm



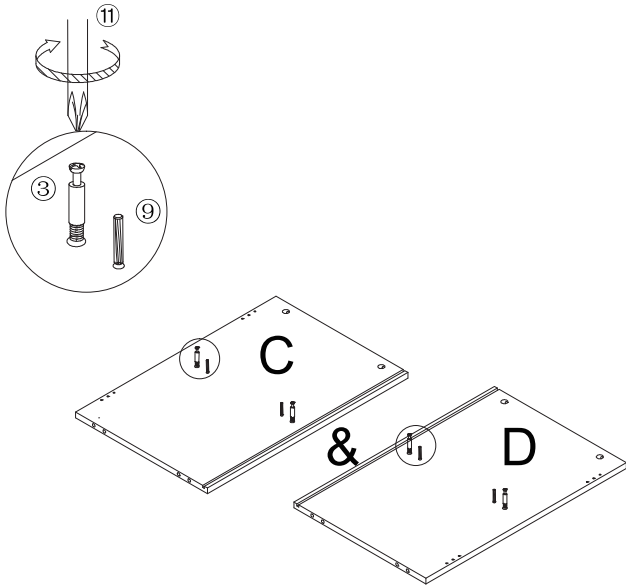
⑲: X1
M3*14mm

Be sure to check all packing material carefully for small parts, which may have come loose inside the carton during shipment.

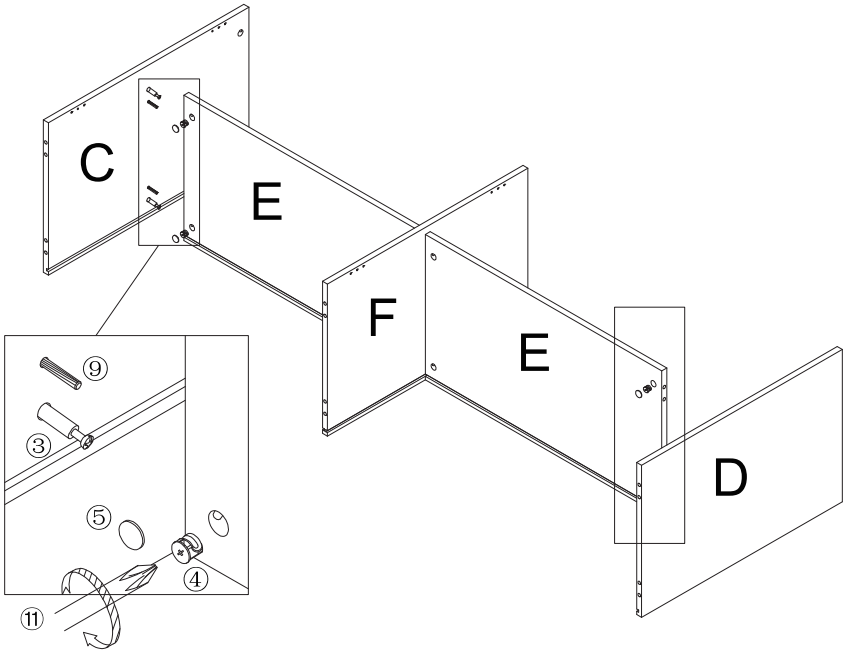
ASSEMBLY INSTRUCTIONS



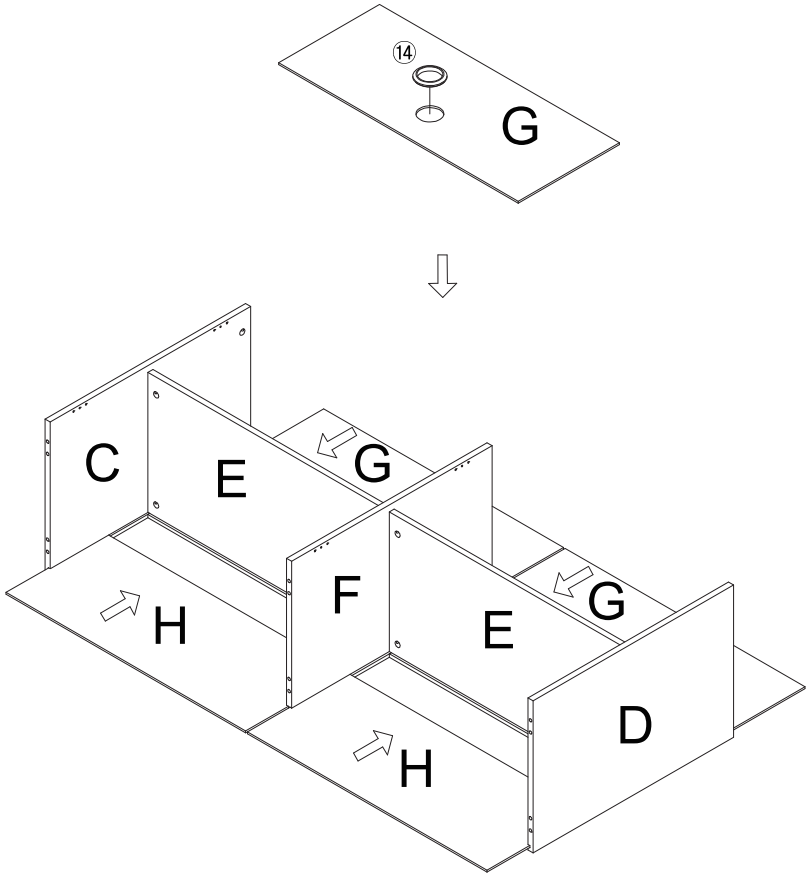
STEP 1: With help of adult partner, hold part F , insert cam bolt #6 through and dowel #9 into dowel hole of part F, then insert cam bolt #6 and dowel #9 through end hole of part E, then insert cam nut #4 and use philips head screwdriver #11 to fasten cam bolt #4 for secure part E & F. Apply sticker #5 to cover the cam nut.



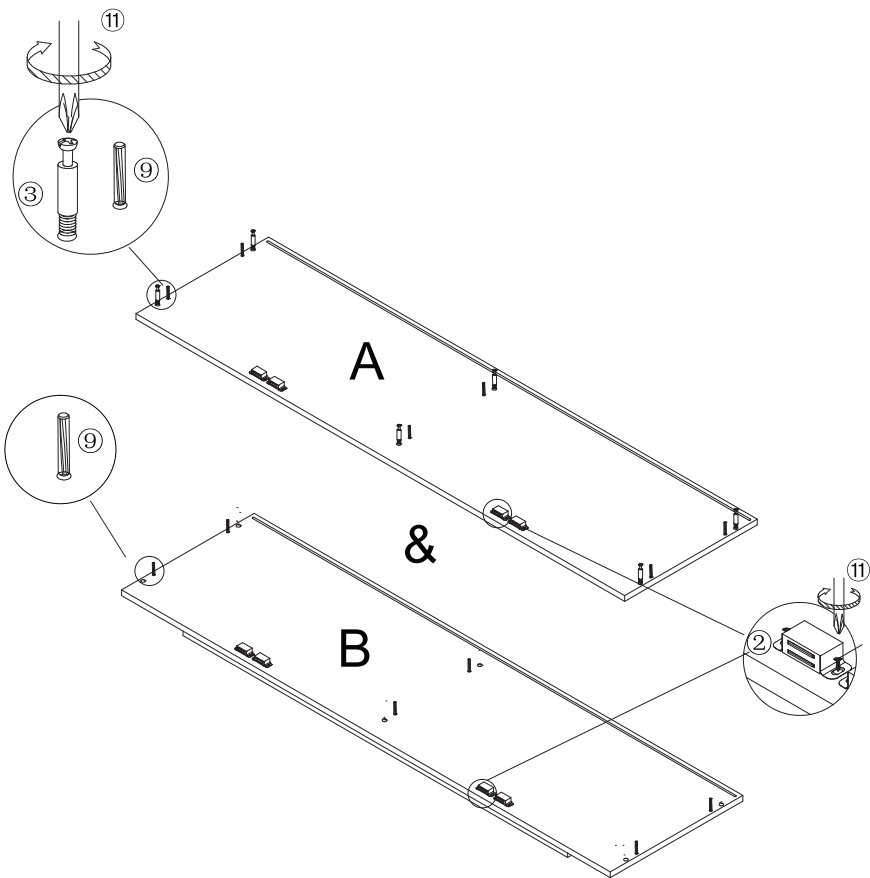
STEP 2: Use philips head screwdriver #11 to fasten cam bolt #3 and insert dowel #9 into part C & D.



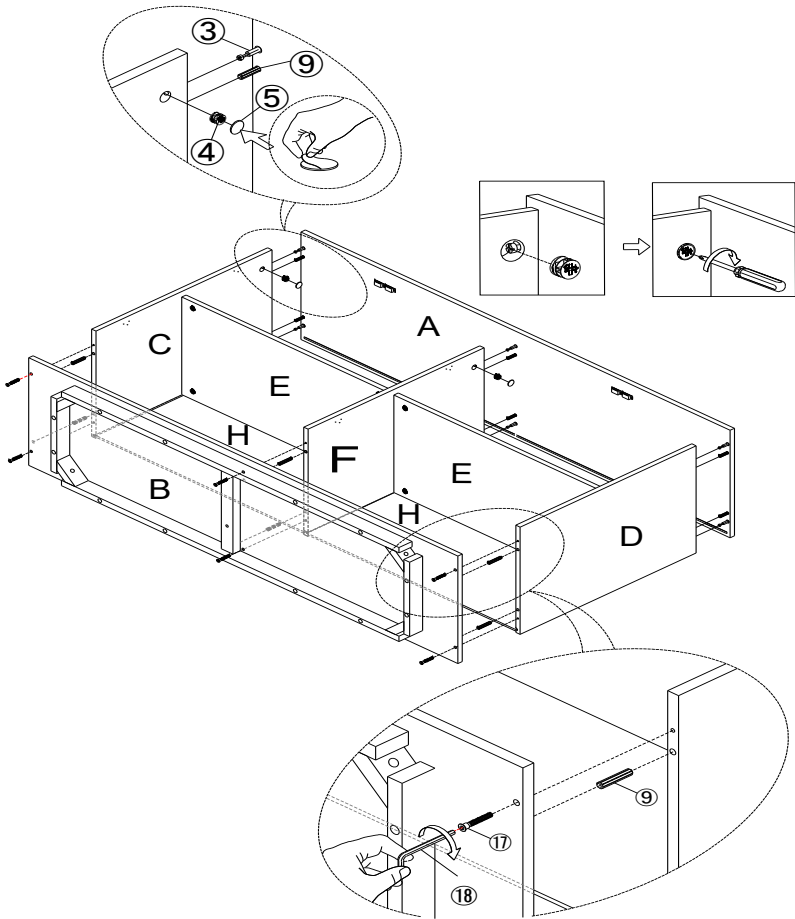
STEP 3: Insert cam bolt #3 and dowel #9 on part C/D through end hole of part E, use philips head screwdriver #11 to fasten cam bolt #4 for secure part C & D. Apply sticker #5 to cover the cam nut.



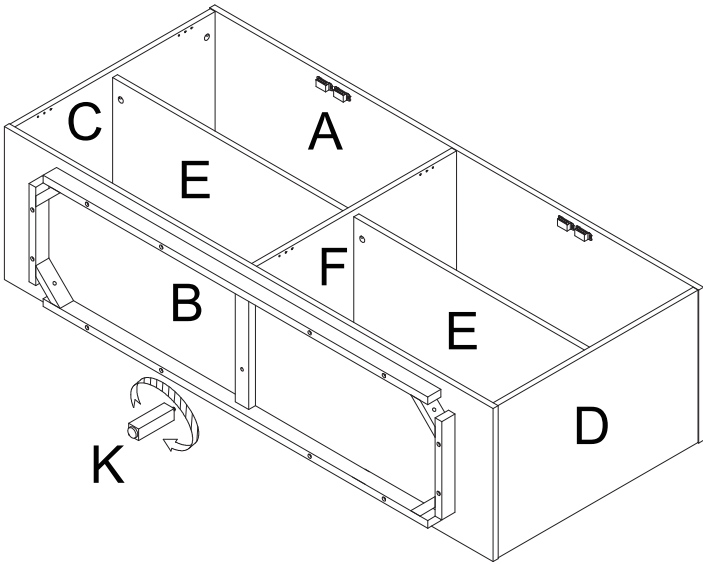
STEP 4: Insert gromet ring #14 into hole of part G, then slide part G/H into groove on part E/F.



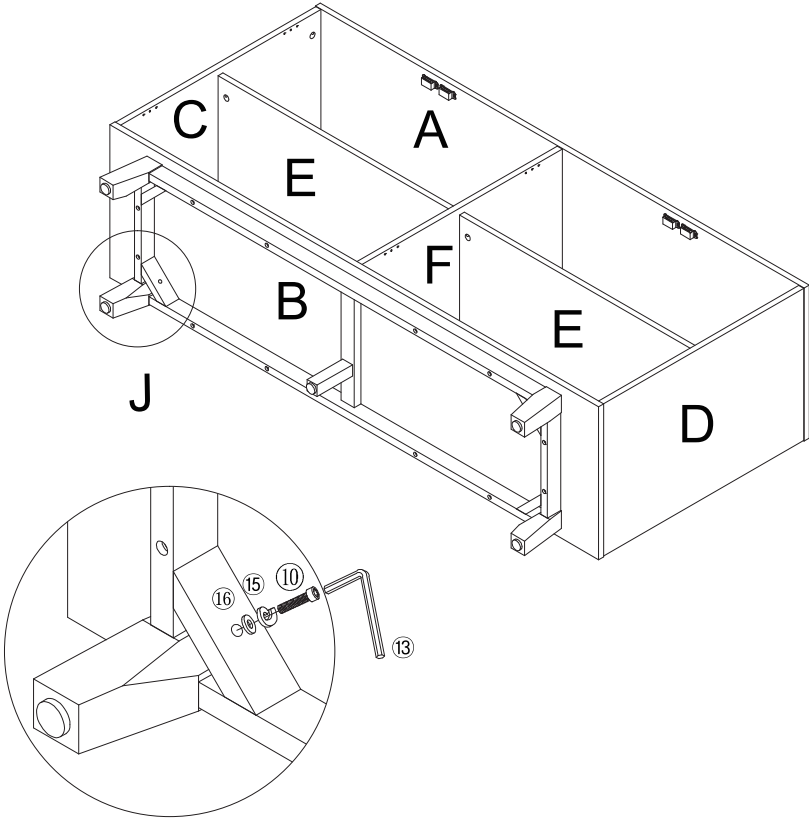
STEP 5: Use philips head screw driver #11 to fasten cam bolt #3 and insert dowel #9 on part A/B, then use screw #2 to attach magnetic catch to pilot hole on part A/B.



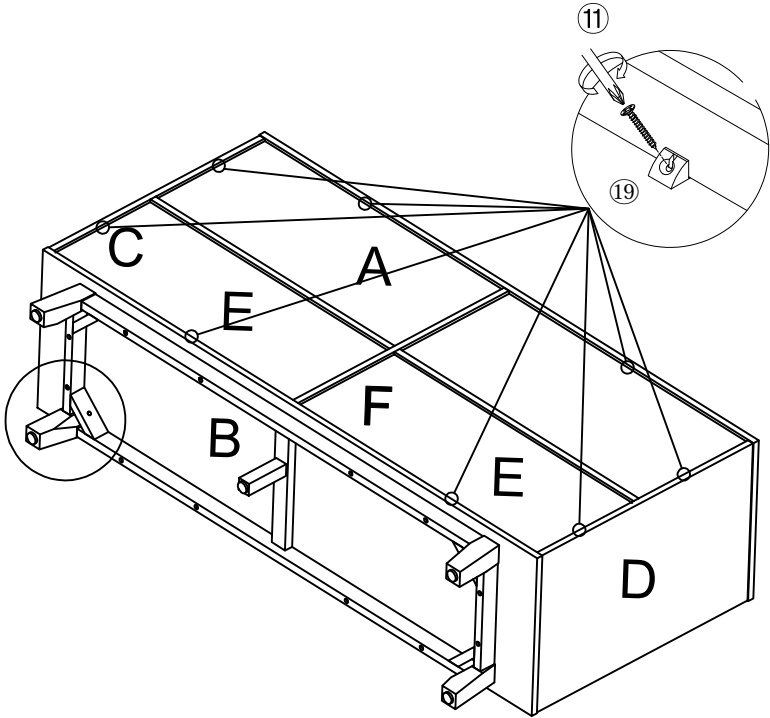
STEP 6: Insert part A into panel C/F/D, hold the part A with 2 person then carefully align cam bolt #3& wooden dowel #9 with holes on edge of panel C/F/D, make sure all holes aligned and use cam lock #4 to attach part A to panel C/F/D, tighten cam lock #4 with screwdriver then stick paster on it. With the help of adult partner, set the panel B vertically, use allen key #18 and screw #17 to attach panel B to panel C/F/D, make sure all holes aligned and tighten all screws to secure.



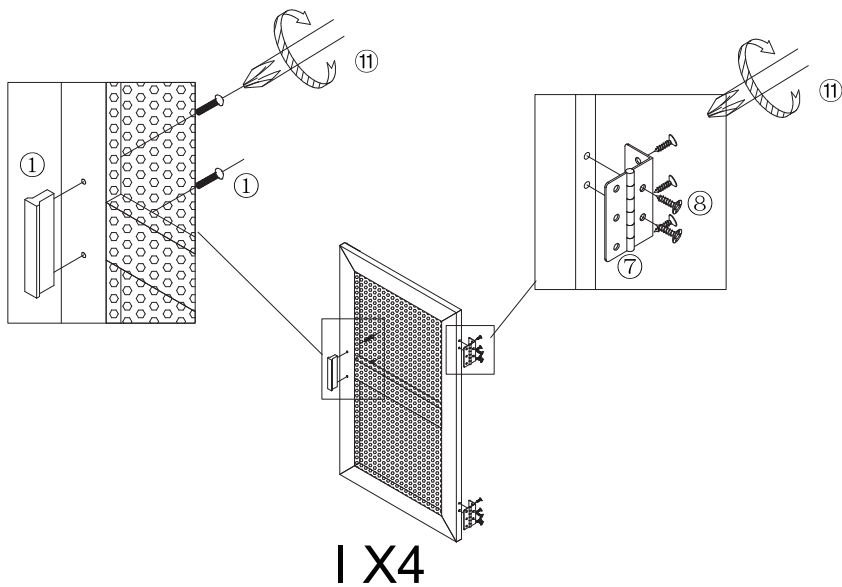
STEP 7: Turn the leg K and fasten it on bottom of part B.



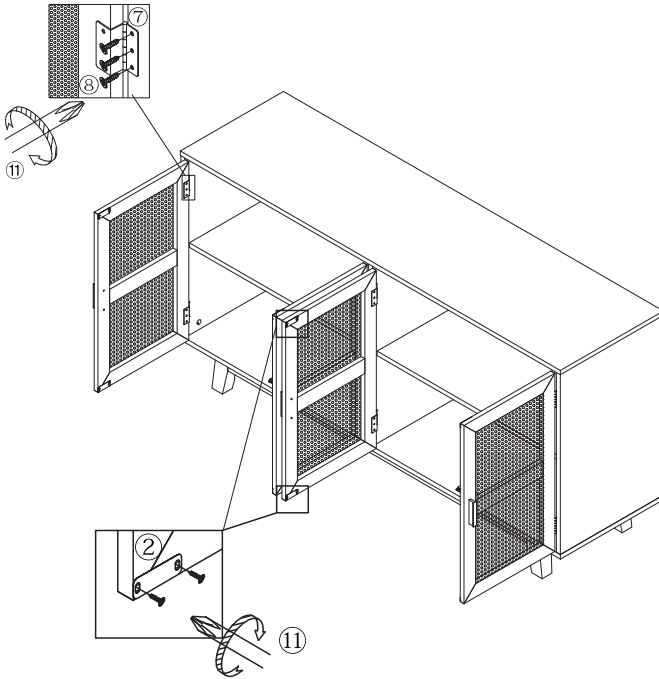
STEP 8: Use allen key #13, bolt #10, spring washer #15, flat washer #16 to attach leg #J to apron of part #B, fasten all bolts to secure.



STEP 9: Insert plastic bracket #19 in between back panel and groove on panel A/B/C/D, use screwdriver #11 to fasten screws in order to secure back panel.

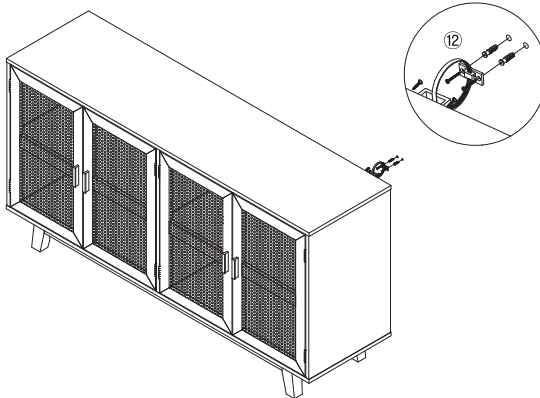


STEP 10: Use philips head screwdriver #11 and screw #8 to attach hinge #7 to part I, then use philips head screwdriver #11 and screw to attach handle #1 to door I .



STEP 11: Attach the metal plate# 2 on the panel I with screw#2 by screwdriver#11.

Turn the assembled unit upright, use philips head screwdriver #11, screw #8 to attach door I to the unit.



STEP 12: Attach tipping kits to the wall and backside of the unit.

WARRANTY

We strive to offer high-quality products, and we also try our best to satisfy each and every customer that orders from us with product or service as needed. We provide 30 days warranty starting from the time you receive the item. Each customer must provide a record of their order such as the order number, or item receipt for any items that are out of the warranty period you may also still receive replacement parts by purchasing them with our company if they are available.

**Are you having difficulty
with assembly? Missing parts?**

Please send email with your order No.

customerservice@hulalahome.com

**For return, please check the return policy with
the Retailer or MarketPlace you bought from.**

**Appreciated your purchasing from us.
Pop up your life by our furniture piece!**