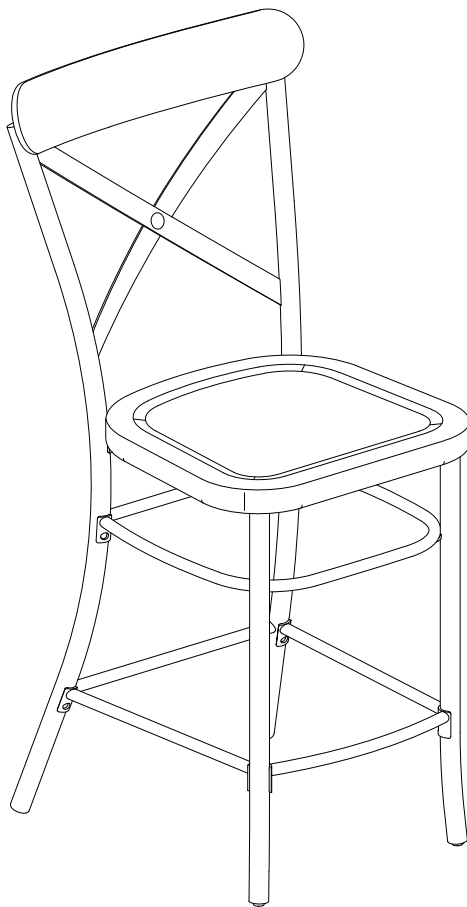
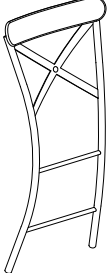
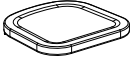

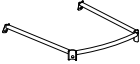





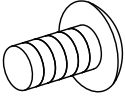



CF500624 Counter Stool
CF500630 Bar Stool



PART LIST

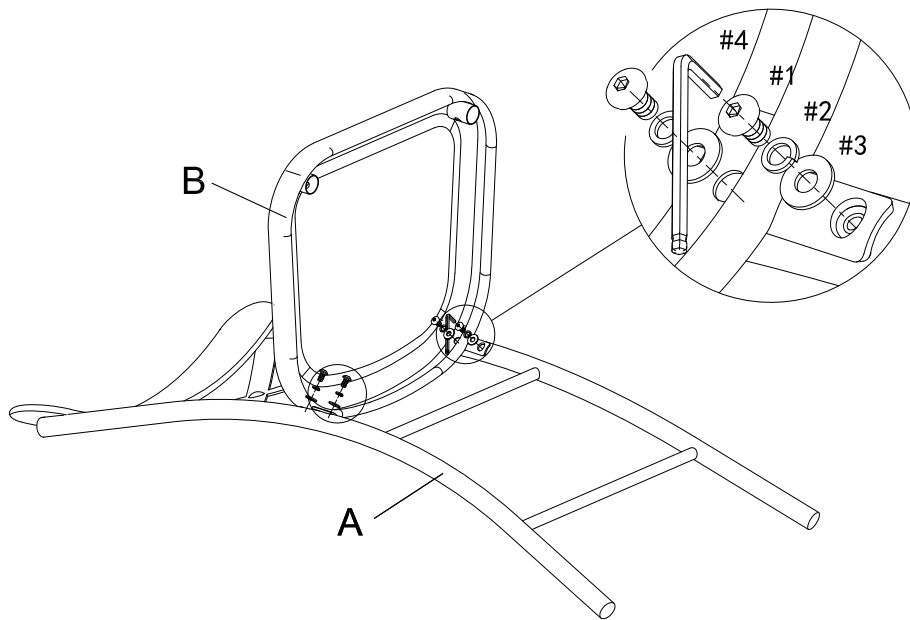
<div data-bbox="134 120 172 165" style="border: 1px solid black; padding: 2px;">A</div> 	<div data-bbox="402 120 440 165" style="border: 1px solid black; padding: 2px;">B</div> 	<div data-bbox="670 120 708 165" style="border: 1px solid black; padding: 2px;">C</div> 	<div data-bbox="938 120 976 165" style="border: 1px solid black; padding: 2px;">D</div> 	<div data-bbox="1206 120 1244 165" style="border: 1px solid black; padding: 2px;">E</div> 
<p style="text-align: center;">Back 2 PCS</p>	<p style="text-align: center;">Seat 2 PCS</p>	<p style="text-align: center;">Top Stretcher 2 PCS</p>	<p style="text-align: center;">Stretcher 2 PCS</p>	<p style="text-align: center;">Front Leg 4 PCS</p>





HARDWARE LIST

<div data-bbox="134 658 172 703" style="border: 1px solid black; padding: 2px;">#1</div>  <p style="text-align: center;">1/4"x5/8"L</p>	<div data-bbox="402 658 440 703" style="border: 1px solid black; padding: 2px;">#2</div>  <p style="text-align: center;">$\phi 10.5 \times \phi 7.0 \times 1.5$</p>	<div data-bbox="670 658 708 703" style="border: 1px solid black; padding: 2px;">#3</div>  <p style="text-align: center;">$\phi 16 \times \phi 7.0 \times 1.5$</p>	<div data-bbox="938 658 976 703" style="border: 1px solid black; padding: 2px;">#4</div>  <p style="text-align: center;">M4</p>
<p style="text-align: center;">Bolt 28 PCS (Extra 2)</p>	<p style="text-align: center;">Spring Washer 28 PCS (Extra 2)</p>	<p style="text-align: center;">Flat Washer 28 PCS (Extra 2)</p>	<p style="text-align: center;">Allen Wrench 2 PCS</p>

Step 1. Lay back (part A) down on a soft flat surface, such as carpet. Attach seat (part B) to back (part A) using bolts (part #1), spring washers (part #2), flat washers (part #3) and allen wrench (part #4).

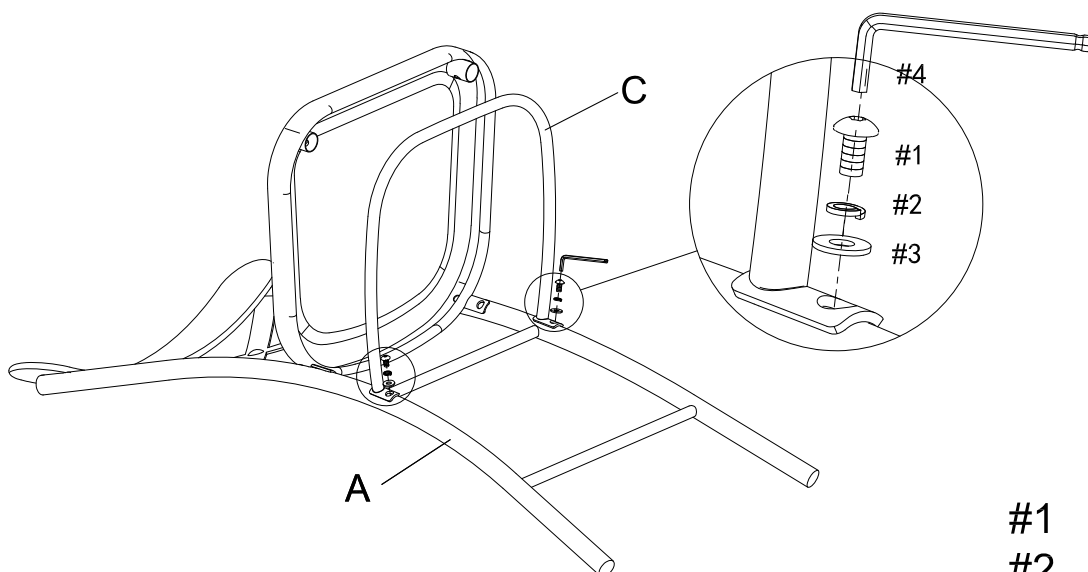
NOTE: Please do not fully tighten bolts until unit is fully assembled.







- | | | |
|----|--|-----|
| #1 |  | x 4 |
| #2 |  | x 4 |
| #3 |  | x 4 |
| #4 |  | x 1 |

Step 2. Attach top stretcher (part C) to back (part A) using bolts (part #1), spring washers (part #2), flat washers (part #3) and allen wrench (part #4).

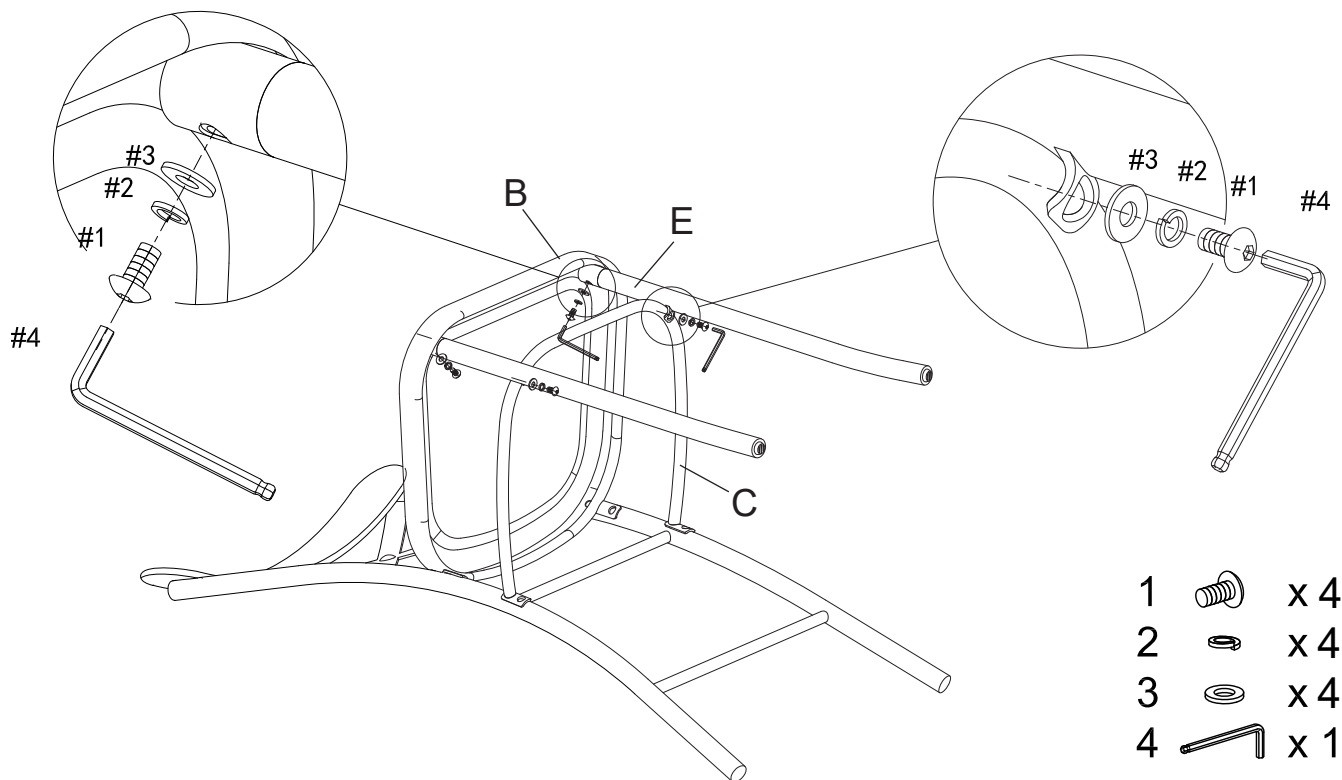
NOTE: Please do not fully tighten bolts until unit is fully assembled.



- | | | |
|----|---|-----|
| #1 |  | x 2 |
| #2 |  | x 2 |
| #3 |  | x 2 |
| #4 |  | x 1 |

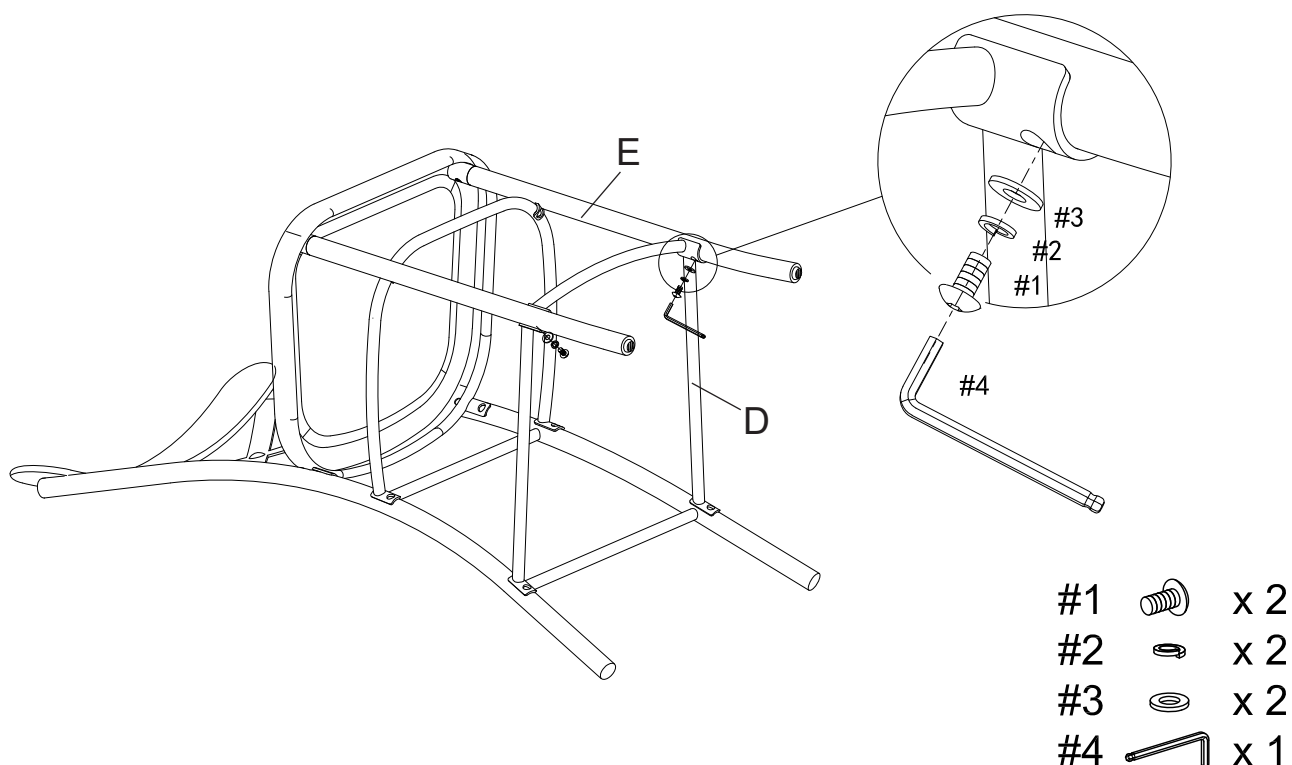
Step 3. Attach front legs (part E) to seat (part B) and top stretcher (part C) using bolts (part #1), spring washers (part #2), flat washers (part #3) and allen wrench (part #4).

NOTE: Please do not fully tighten bolts until unit is fully assembled.



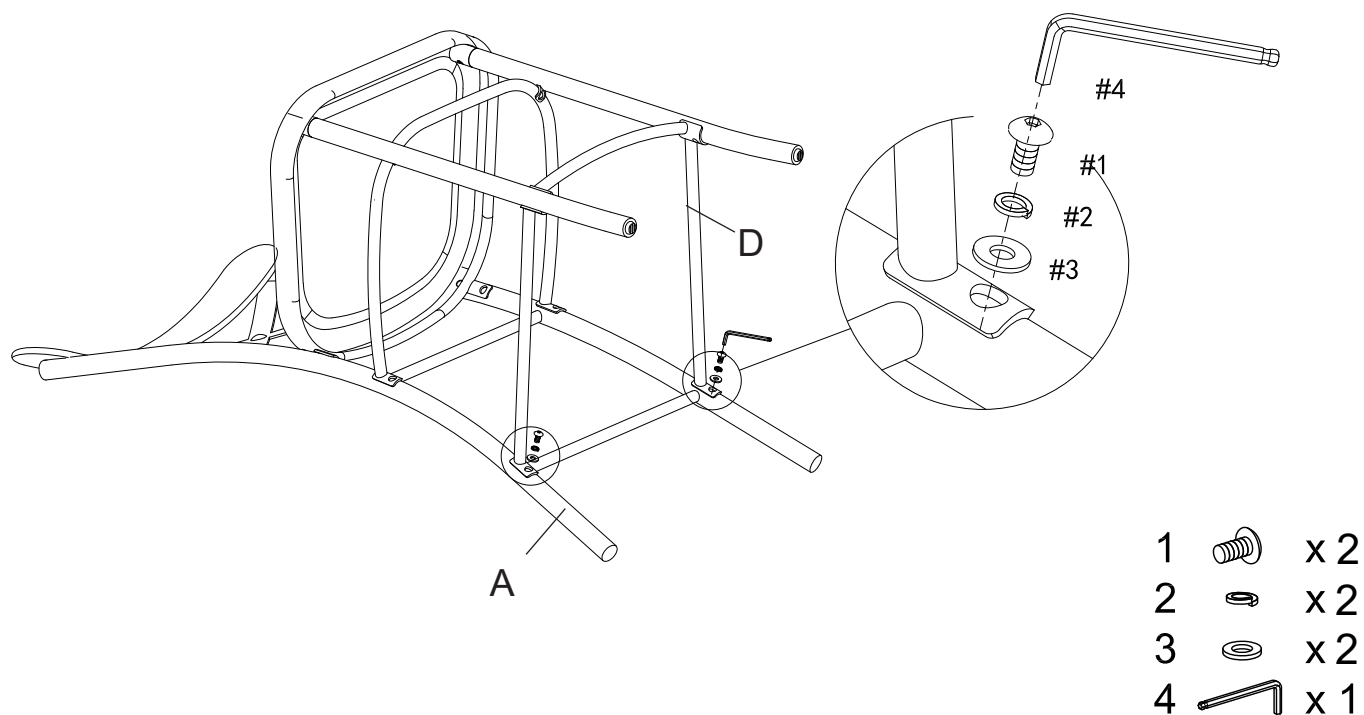
Step 4. Attach stretcher (part D) to front legs (part E) and back (part A), using bolts (part #1), spring washers (part #2), flat washers (part #3) and allen wrench (part #4).

NOTE: Please do not fully tighten bolts until unit is fully assembled.



Step 5. Secure stretcher (part D) to back (part A) using bolts (part #1), spring washers (part #2), flat washers (part #3) and allen wrench (part #4).

NOTE: Please fully tighten all bolts at this time.



Step 6. Carefully turn unit upright. Repeat steps 1-5 to assemble remaining chair.

