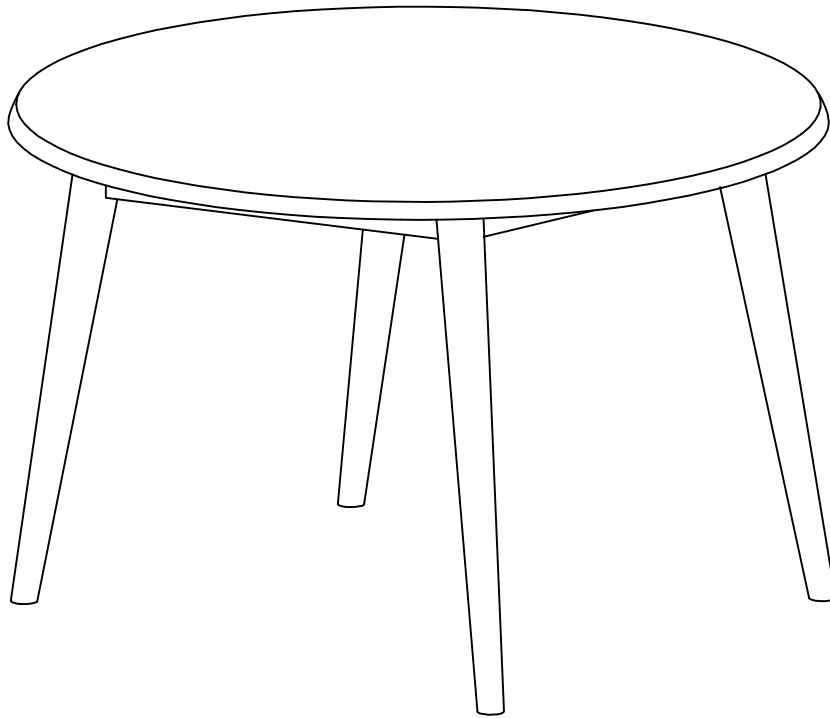
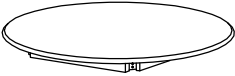
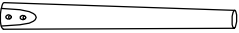




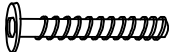



**Round Dining Table
CF2009**



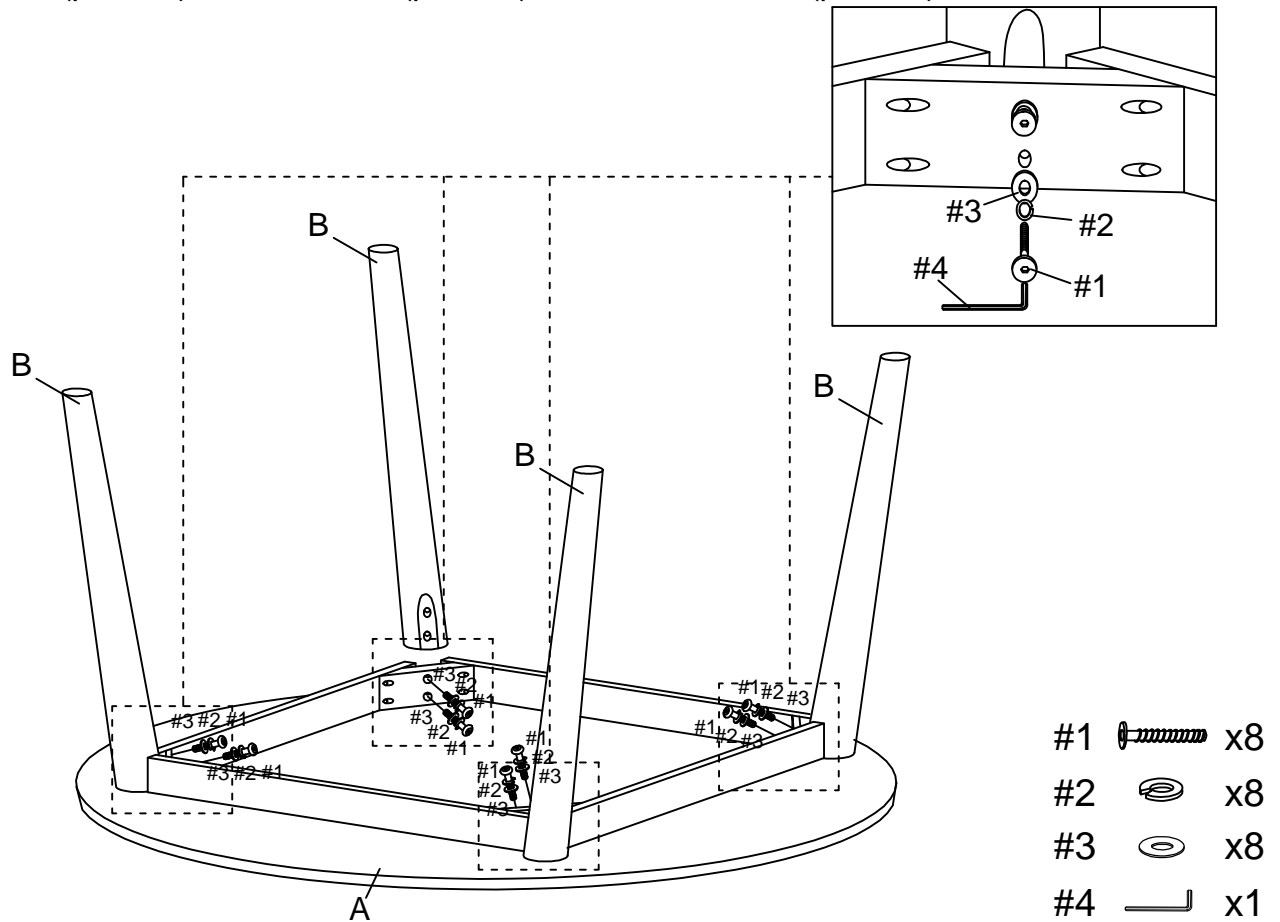
PART LIST

<div data-bbox="145 136 188 181" style="border: 1px solid black; padding: 2px;">A</div> 	<div data-bbox="408 136 451 181" style="border: 1px solid black; padding: 2px;">B</div> 
<p style="text-align: center;">Table Top 1 PC</p>	<p style="text-align: center;">Leg 4 PCS</p>

HARDWARE LIST

<div data-bbox="137 734 188 779" style="border: 1px solid black; padding: 2px;">#1</div>  <p style="text-align: center;">M8 x 60mm</p>	<div data-bbox="405 734 456 779" style="border: 1px solid black; padding: 2px;">#2</div>  <p style="text-align: center;">5/16"</p>	<div data-bbox="668 734 719 779" style="border: 1px solid black; padding: 2px;">#3</div>  <p style="text-align: center;">5/16"x19"</p>	<div data-bbox="932 734 983 779" style="border: 1px solid black; padding: 2px;">#4</div>  <p style="text-align: center;">M5</p>
<p style="text-align: center;">Bolt 8 PCS (Extra 1)</p>	<p style="text-align: center;">Spring Washer 8 PCS (Extra 1)</p>	<p style="text-align: center;">Flat Washer 8 PCS (Extra 1)</p>	<p style="text-align: center;">Allen Wrench 1 PC</p>

Step 1 . Lay table top (part A) upside down on a soft surface, such as carpet. Attach legs (part B) to table top (part A) using bolts (part #1), spring washers (part #2), flat washers (part #3) and allen wrench (part #4).



Step 2 . Carefully turn unit upright.

