
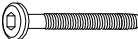
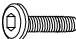


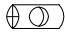




ASSEMBLY INSTRUCTIONS

ITEM NO: T815-01
Coffee Table

Thank you for purchasing this quality product. Place all wooden parts on a clean and smooth surface such as a rug or carpet to avoid the parts from being scratched. Be sure to check all packing materials carefully for small parts may have come loose inside the carton during shipment, clarify and count all parts and compare with the parts list below. Do not tighten all screws / bolts until all completely assembled.

Part List		
No.	Description	Q.ty
A	TABLE TOP	1PC
B	TABLE LEG	2 PCS
C	LEG UPPER BAR	2 PCS
D	CENTER LEG BAR	1PC

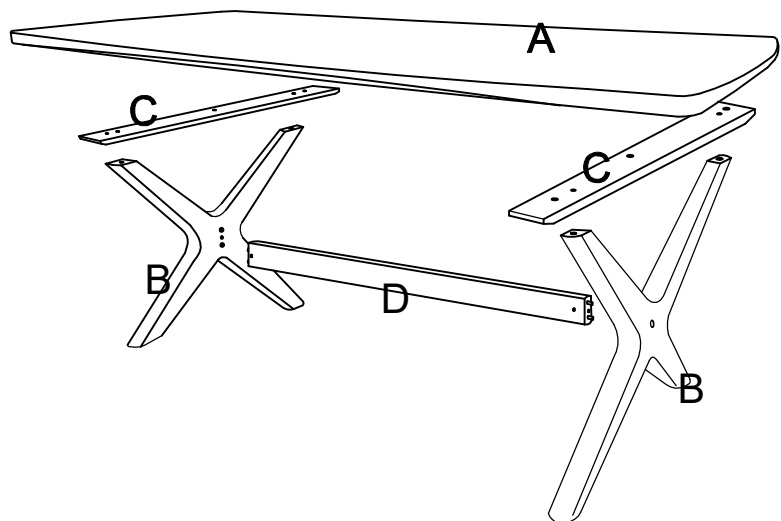
Hardware List				
No.	Description	Sketch	Size	Q.ty
1	ALLEN KEY		M4 X 63 MM	1 PC
2	JCBC BOLT		M6 X 50 MM	2 PCS
3	JCBC BOLT		M6 X 30 MM	10 PCS
4	SPRING WASHER		1/4"	12 PCS
5	FLAT WASHER		M6 X 13MM	12 PCS
6	BARREL NUT		M6 X 9.5 X 14MM	2 PCS
7	WOOD BUTTON		Ø 14.5 X 9MM	2 PCS
8	ADJUSTER		M6 X 14.8MM	4 PCS

NOTE : YOU WILL ALSO NEED A SCREWDRIVER (NOT PROVIDED)

These parts are cumbersome and heavy. Therefore, two people are recommended in order to prevent personal injury and insure the parts are not damaged during the assembly.

△ Important Notes

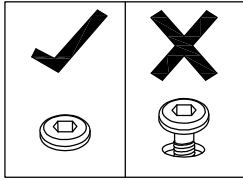
- *Keep all hardware parts out of reach of children!
- *Tighten screws periodically! With the use of this product bolts and screws may become loose over time
- *Don't attempt to modify parts!



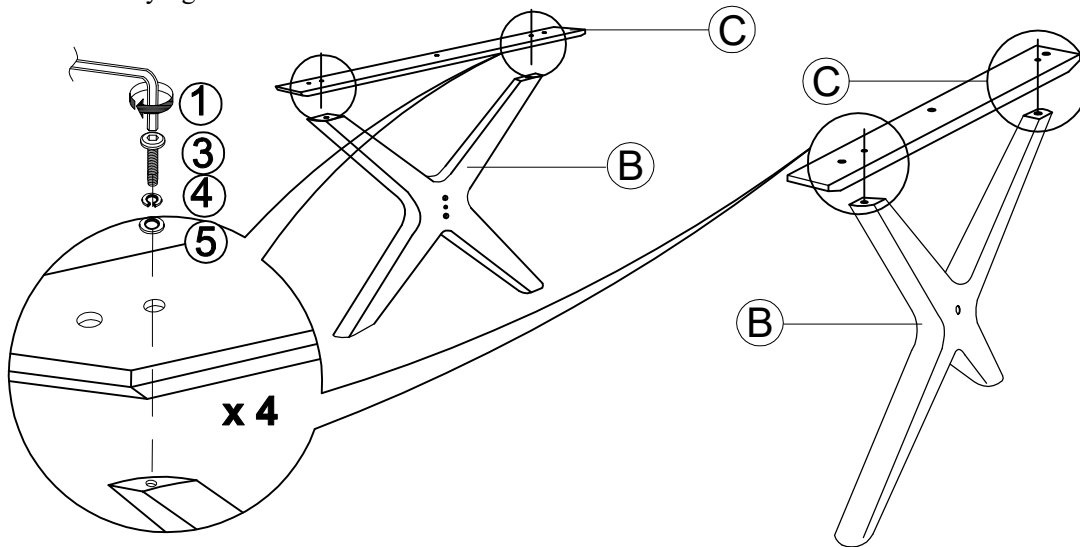
ASSEMBLY INSTRUCTIONS

ITEM NO: T815-01
Coffee Table

STEP 1:

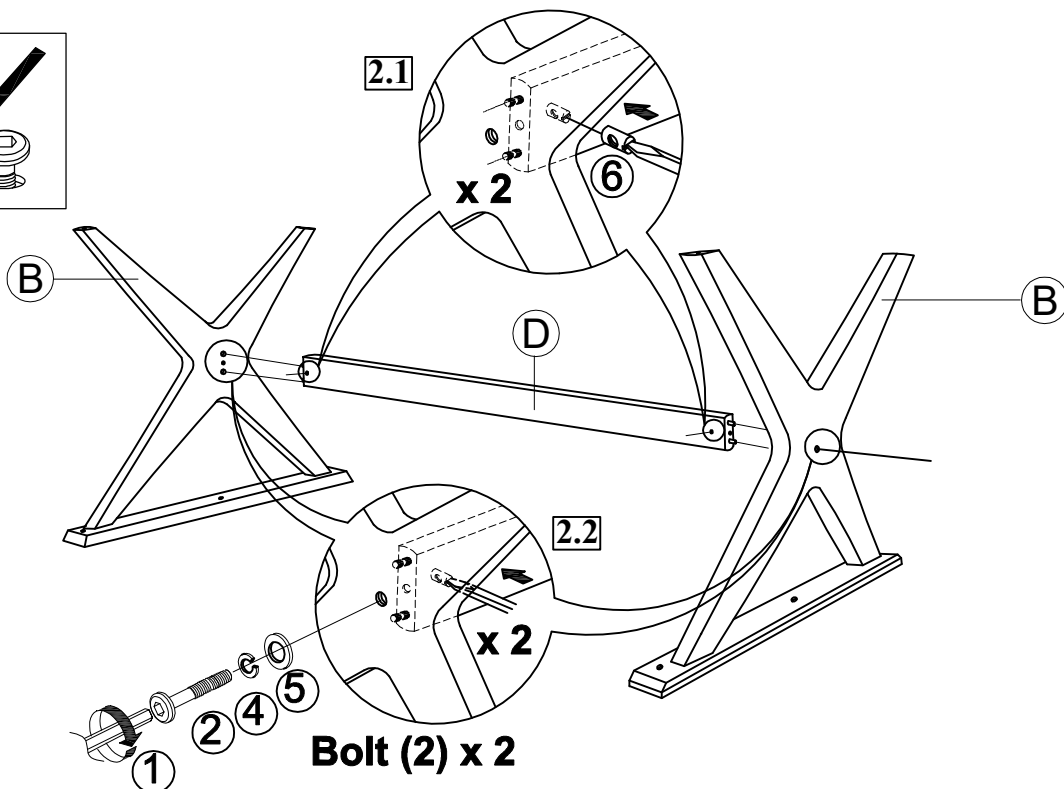
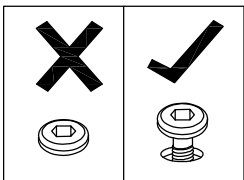


Screw fully tight



Bolt (3) x 4

STEP 2:



Bolt (2) x 2

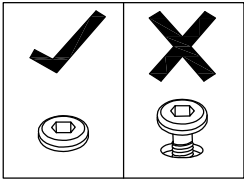
Cleaning instruction: Clean using soft cloth

Made in Malaysia

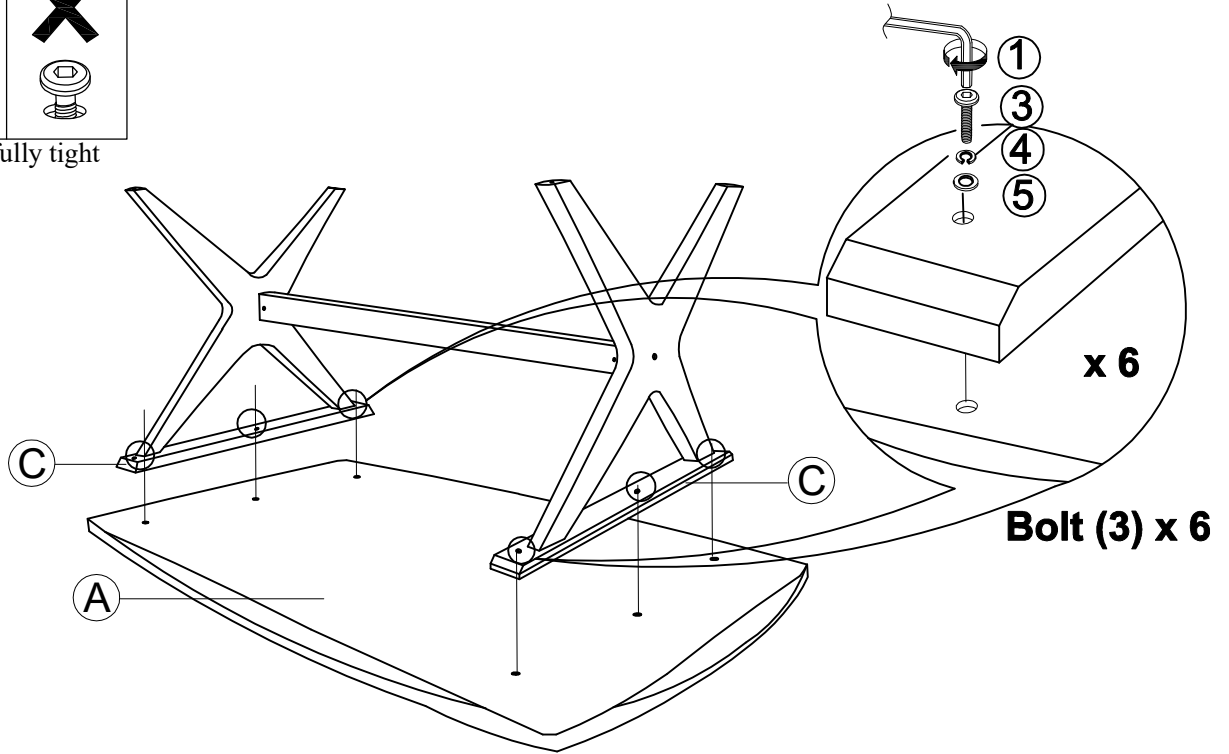
ASSEMBLY INSTRUCTIONS

ITEM NO: T815-01
Coffee Table

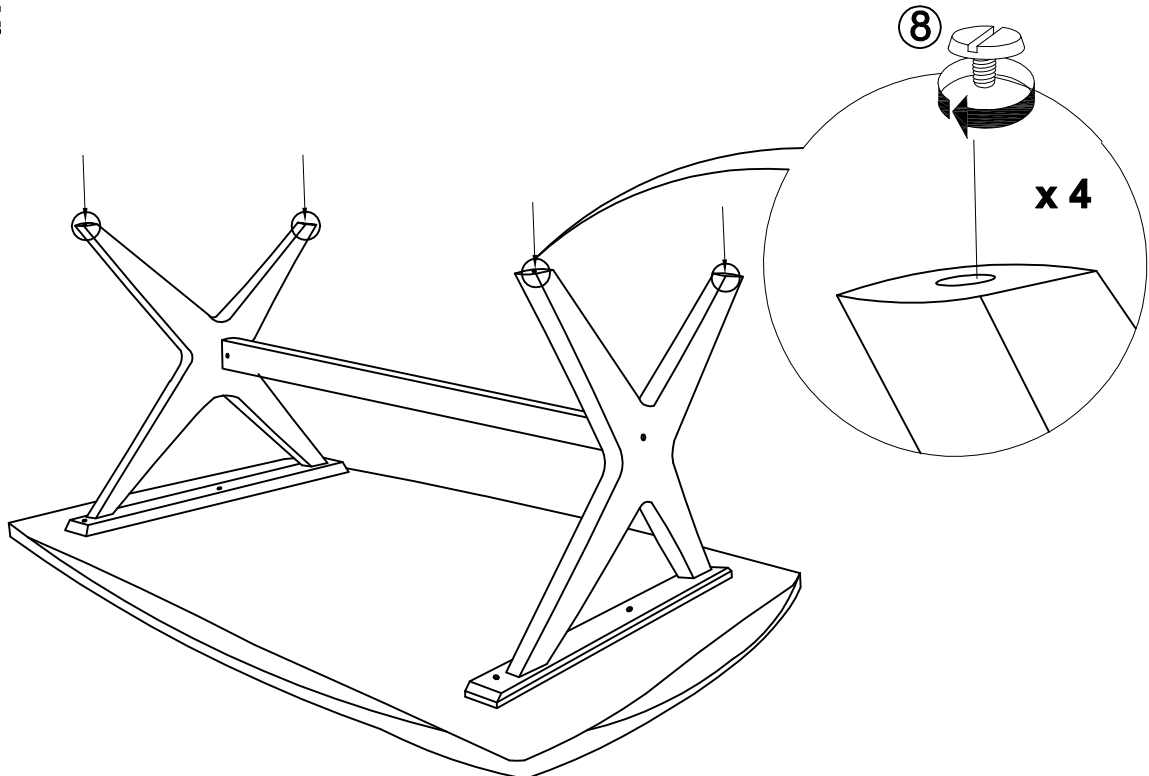
STEP 3:



Screw fully tight



STEP 4:



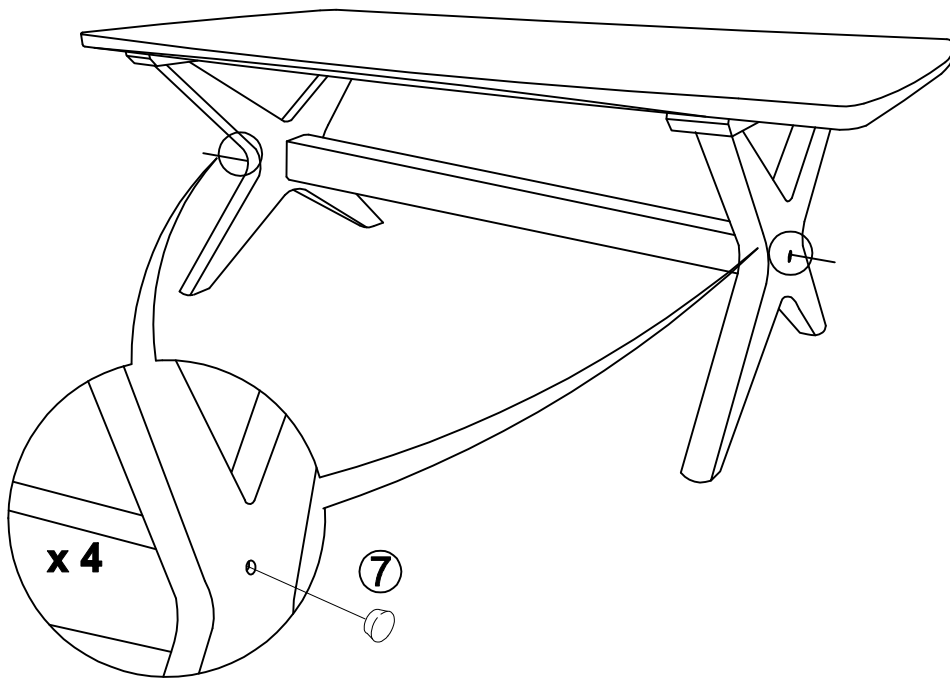
Cleaning instruction: Clean using soft cloth

Made in Malaysia

ASSEMBLY INSTRUCTIONS

ITEM NO: T815-01
Coffee Table

STEP 5:



STEP 6:

